

KORA-S Datasheet



KORA-S is a compact, aperiodical loaded subwoofer with fast transient and ultra-low frequency bass response. Designed to be flown or ground stacked to enhance the bass response of KORA /KORA-A line array system or used as a three-way design in conjunction with large format system arrays such as E-05.

With exceptional low frequency of 34 Hz and fast response time of the 15" long excursion neodymium driver, the KORA-S is capable of 131 dB SPL. The compact lightweight 43.5 kg design with integrated bar handles makes this product perfect for portable use. With discreet installation in mind, the 444 mm low profile design allows for easy installation under industry standard fixed seating.

The discreet HEX steel grill design with reticulated foam backing and acrylic textured paint finish achieves a high class look suitable for any application.



Shown with optional flying hardware which is a symmetrical designed for rotation of each subwoofer for both front facing and cardioid arrangements.

The rear connection plate has two 4 pin speakON® connectors fitted as standard, one input and one link. There are also two 4 pin speakON® connectors located on the front of the enclosure for convenient cardioid mode cabling. speakON® connectors are wired on pins +1-1, with pass through of pins +2-2.

Key Features:

- Compact cabinet designed
- 34 Hz low frequency response
- Flying and groundstack with KORA / KORA-A line array units
- Durable scratch resistant black textured paint finish
- Integrated Flying system
- HEX design front grill with reticulated foam backing
- Symmetrical design for cardioid sub arrangement
- Front and rear NL4 sockets

Technical Specifications

Design

1 x 15" aperiodical loaded subwoofer

Impedance

8 Ohm, Minimum 6.6 @ 146 Hz

Power Handling (AES)

850 Watts (continuous)

Max. Power Handling (AES)

1700 Watts (program)

3400 Watts (peak 10 ms)

Sensitivity 2.83V / 1m

99 dB

Max. SPL

127 dB cont

133 dB peak

Frequency Response (± 3 dB)

34 Hz - 250 Hz

Usable Frequency Range (-10 dB)

28 Hz - 300 Hz

Dispersion

Omni

SYSTEM OPERATION

Recommended Amplification

800 - 2000 Watts

System Controller

Omega DSP Solutions

Speaker Cables

Min - 2 x 4 mm²

Preferred - 2 x 6 mm²

PRODUCT FEATURES

Components

1 x 15" Low Frequency Driver

Crossover

Passive - -

Active - * LPF - 110 Hz

HPF - 29 Hz

Connectors

4 x 4 pole speakON® connectors

Dimensions (H x W x D mm)

440 x 572 x 630

Weight (kg)

43.5

Shipping Weight (kg)

44 (1 cabinet per carton)

Colour

Black

Options

Available in white or RAL colours on request

Rigging

Foot and cup stacking system, KORA Flying System, TP-1P threaded plate

HARDWARE

Fitted as Standard

KORA-SFH flying hardware, Ergonomic carry handles, Stacking foot system, TP-1P threaded plate

Optional

KORA-S dolly board, KORA-AF KORA array frame, TP-1 adjustable threaded pole

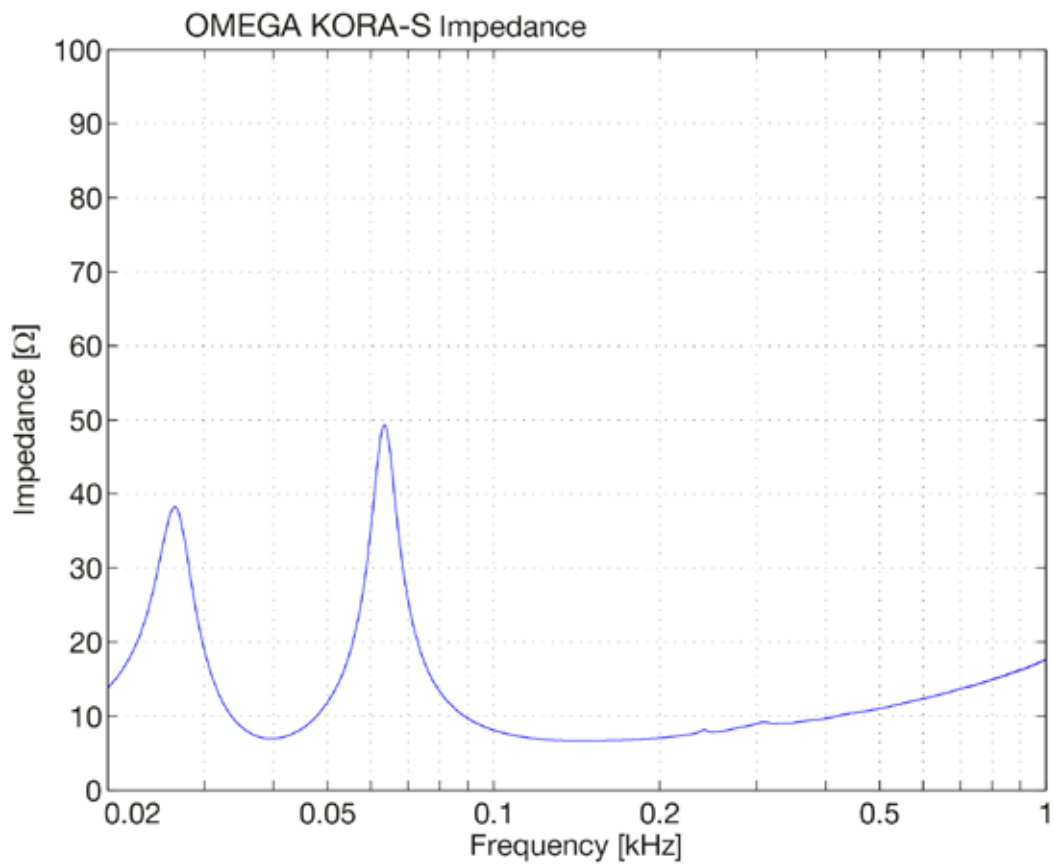
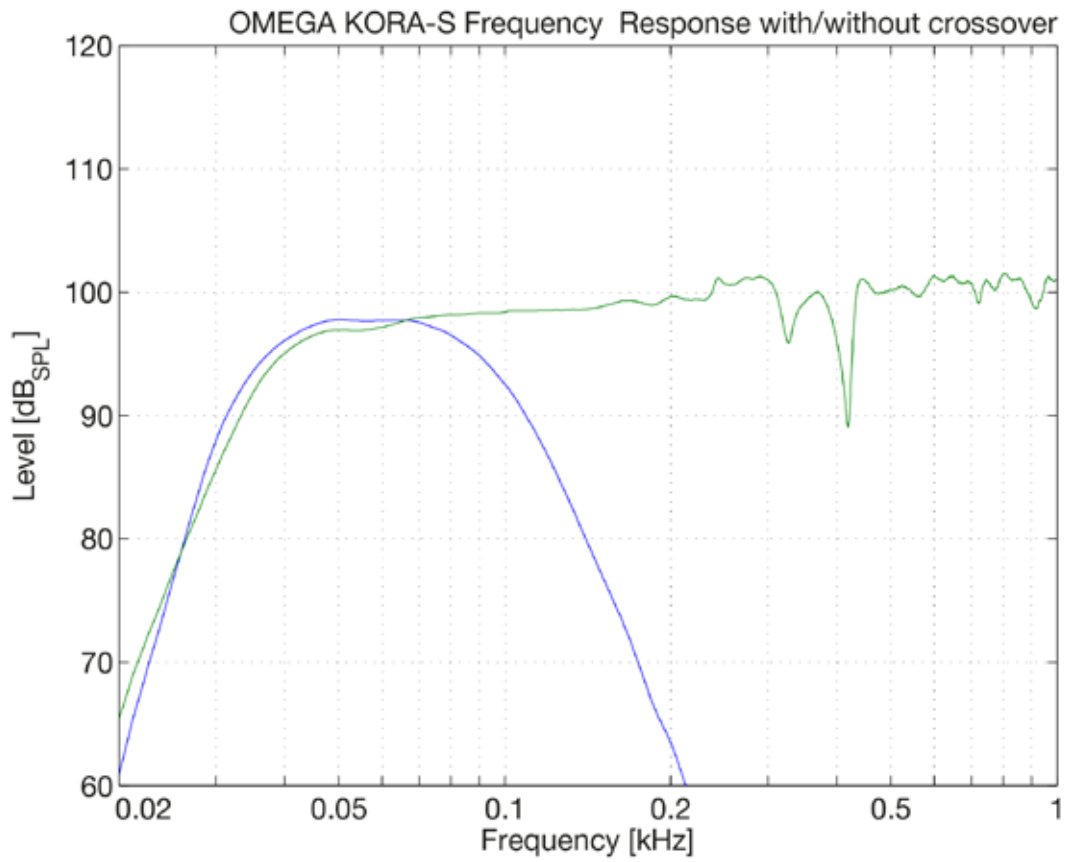
Additional Descriptive Data

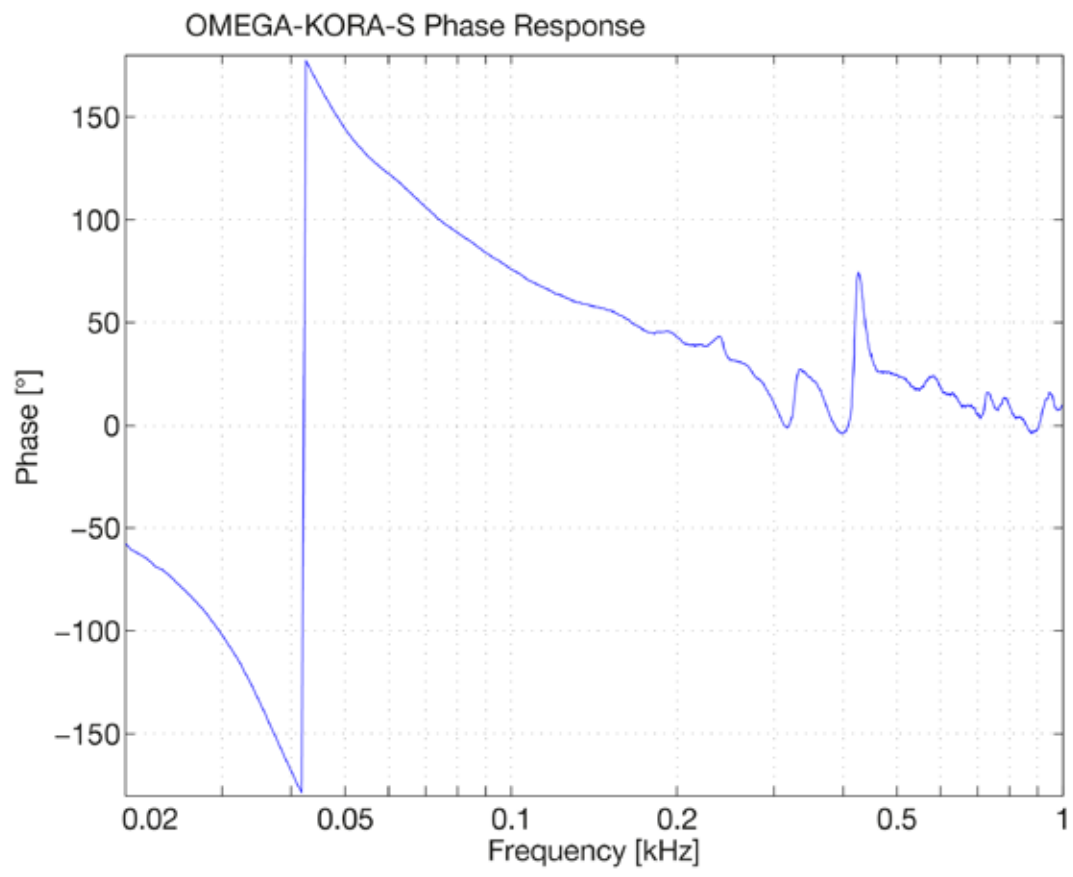
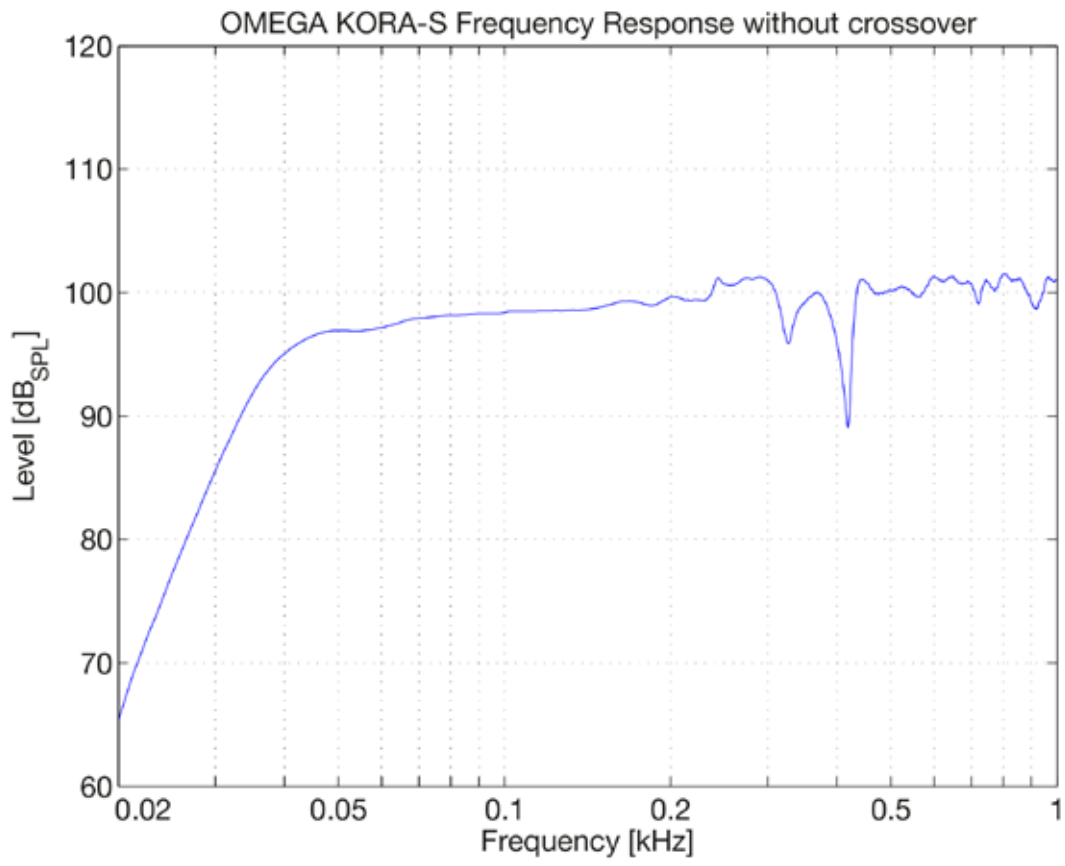
Birch plywood construction, with durable scratch resistant black textured paint finish, kick-proof steel grill and internal black foam with Omega logo.

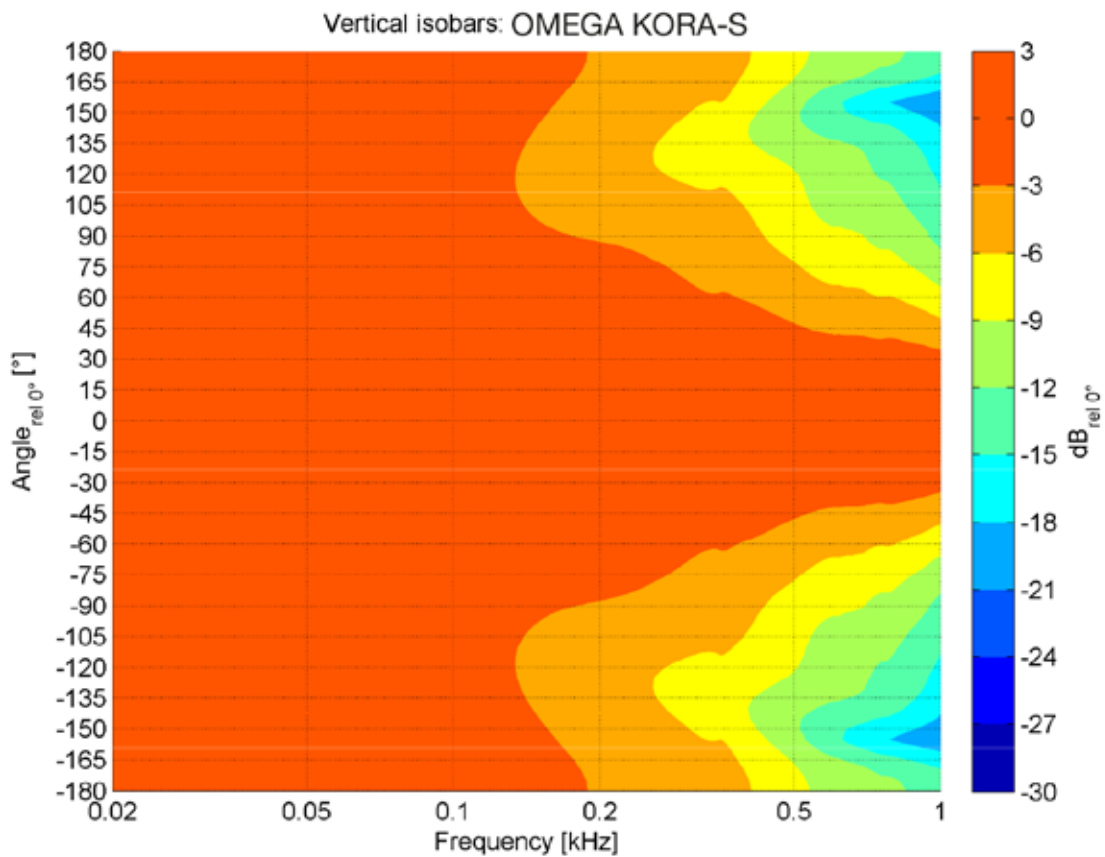
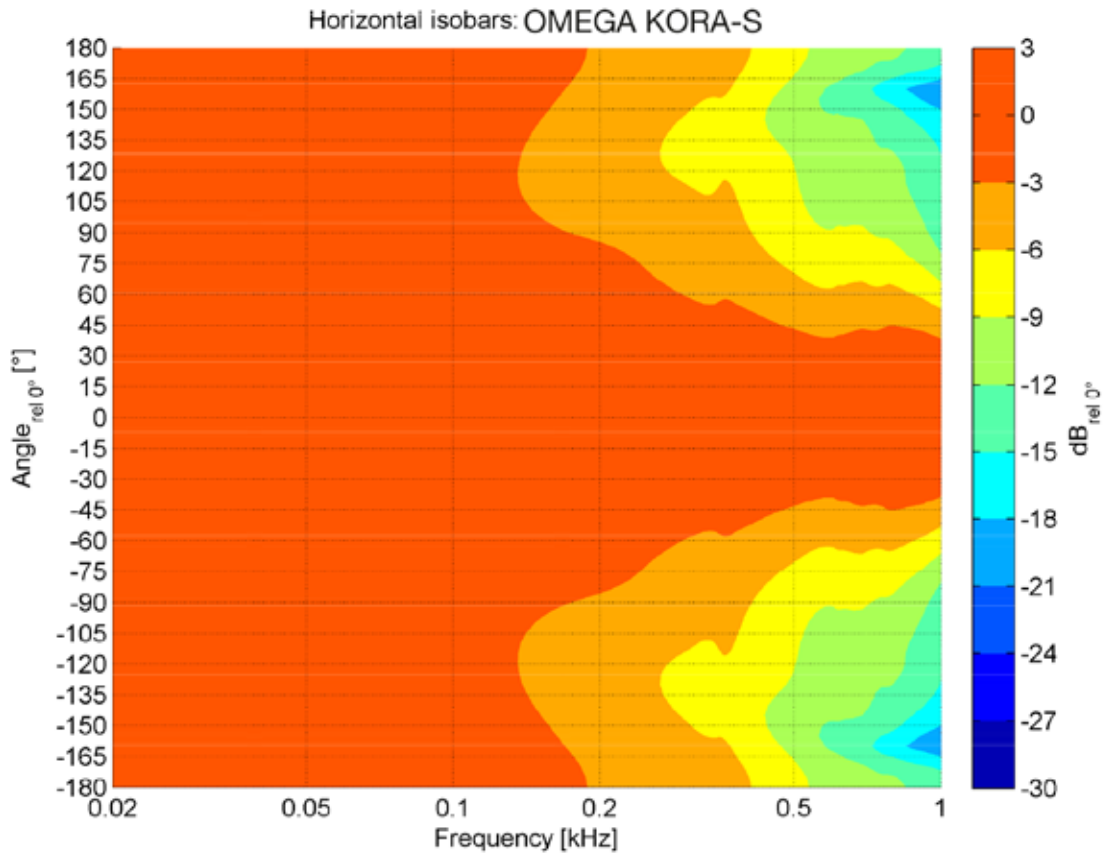
Recommended filter settings are available on the website omegaproaudio.co.uk/downloads

* All presets from the Omega library.

KORA-S Measurements



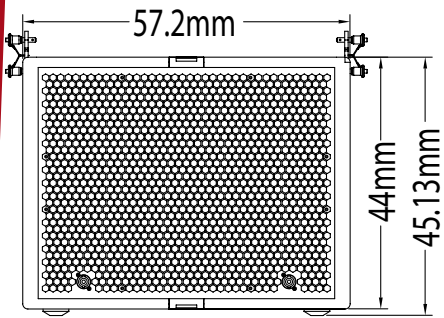




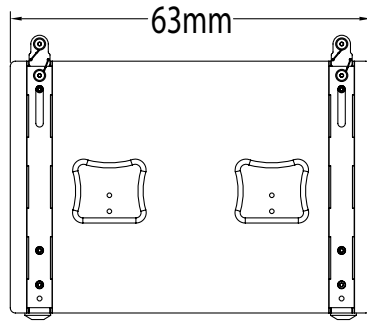
All Measurements are executed by the IFAA Institute for Acoustics in Aachen, Germany
measurement conditions 4PI environment for full range cabinets, 2PI environment for subwoofers.

KORA-S Dimensions

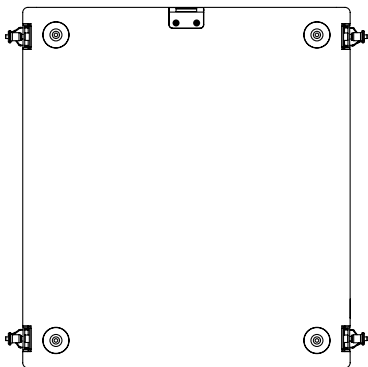
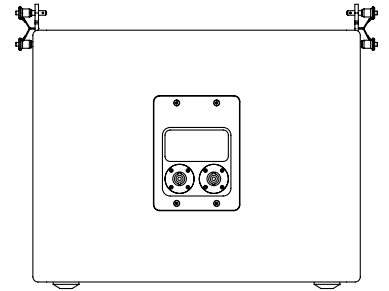
Front



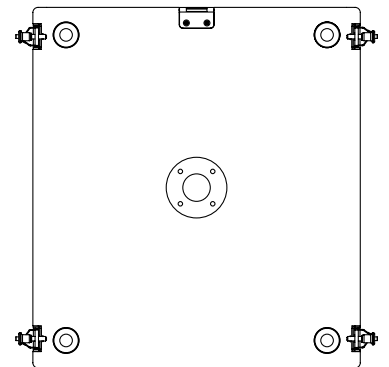
Side



Back



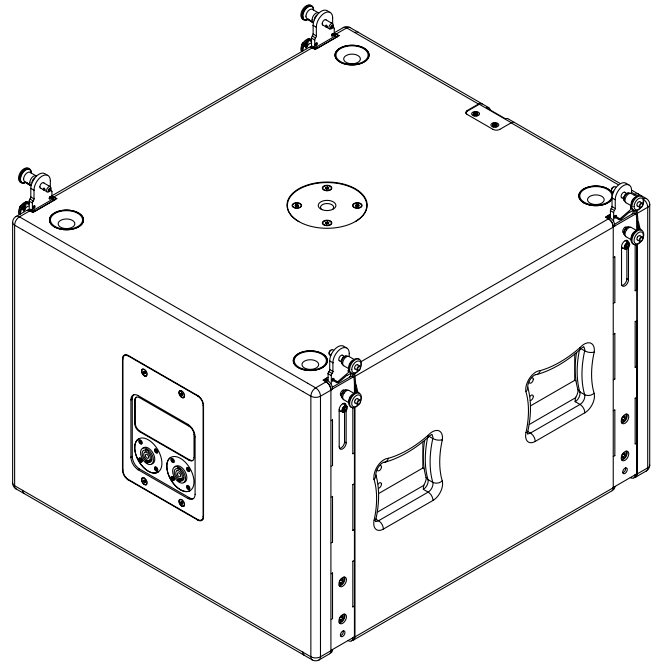
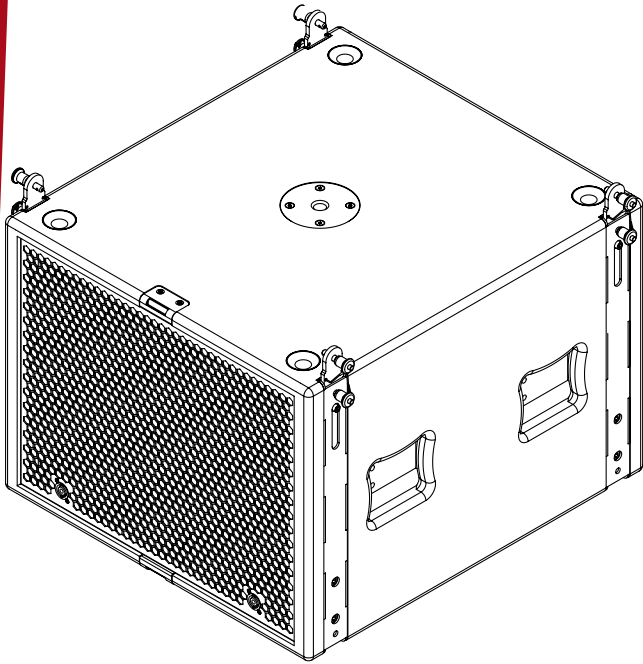
Bottom



Top

Further technical drawings for architectural requirements are available in DXF and DWG format for download on the website.

KORA-S 3D View



Accessories and Spare Parts

- Stacking foot and cup system
- KORA-AF KORA array frame
- KORA-SFH flying hardware
- 1 x 15" low frequency driver
- KORA-S steel grill assembly
- Small Bar Handles
- KORA-S backplate
- ST-CP castor pack
- KORA-S dolly board

Architects' & Engineers' specifications:

Aperiodical loaded subwoofer design, housing 1 x 15" proprietary low bass driver. Homogeneous radiating behaviour and linear response in the entire frequency range. Constructed from different multi-laminated wood, eco-friendly scratch resistant paint, Foot and cup stacking system to ensure cabinets stability when stacked in multiples, Flying sytem for hanging or groundstack to allow easy hang with KORA line array system, ergonomic carry handles, kick proof steel grill finished with internal reticulated foam and Omega logo.

Technical Data:

Frequency Response: 28 Hz - 300 Hz (-10dB), 34 Hz - 250 Hz (± 3 dB), Continuous SPL: 127 dB/1m, Program SPL 130 dB/1m, Peak 133 dB/1 m. Power Handling: 850 Watt cont. IEC268 AES, Maximum Power Handling: 1700 Watt prog. / 3400 Watt peak, Impedance Nominal: 8 ohm, Dispersion Nominal: Omni (hor. x vert.), Connectors: 4 x 4 pole speakON® connectors NL4MP (1+/1-, 2+/2- links). Dimensions (H x W x D): 440 mm x 572 mm x 630 mm, Weight: 43.5 kg. Options: Durable scratch resistant black textured paint finish. RAL colours available to order.

Safety Instructions

Professional speaker systems are able to produce sound pressure levels that could harm your health.

Never stand directly in front of loudspeakers for long periods. Whilst not immediately apparent to the listener, sound pressure levels in excess of 90dB@1m can be hazardous to the hearing.

Please refer to the following advice when setting up or dismantling OMEGA speaker systems.

1. Be sure to leave adequate distance between speakers and the public. Refer to your local authority for Health and Safety guidance when using loudspeaker systems.
2. Be sure to have safe and stable ground for your speakers, particularly when using speaker stands.
3. When stacking speaker systems, ensure they are secured to prevent individual speakers from falling down or moving around.
4. Only use OMEGA mounting hardware, as this has been specified and approved by KHZ LTD, for use with OMEGA speakers.
5. When flying speakers, appropriate materials and techniques must be employed in order to safely suspend enclosures, taking care to allow for specified enclosure weight.
6. Please observe any special instructions that appear on specific loudspeaker data-sheets.
7. Check your speaker hardware and flying material regularly for any visual or mechanical

Safety Instructions Cont.

failure. Replace damaged or suspect items when necessary.

8. Only use OMEGA DSP Solutions. Only technicians authorised by KHZ LTD are qualified to program digital controllers. Take note of recommended controllers as specified on the datasheets. Do not use OMEGA loudspeaker systems without the correct controller. If a system fails due to incorrect controller use, warranty is void.

9. Protect your speakers and electronics from freezing and do not expose them to humidity, water or rain without protection.

OMEGA loudspeakers and electronics are covered against defects in workmanship or materials for a period of two (2) years from original date of purchase. At the discretion of KHZ LTD, the defective item will be repaired/replaced with no charge for materials or labour. The item is to be adequately packed and dispatched, pre-paid, to an OMEGA authorised distributor/service centre. Unauthorised repair shall void the warranty. The OMEGA warranty does not cover cosmetics or finish and does not apply to any item which in OMEGA's opinion has failed due to user abuse, accident, modifications or any type of misuse.

Disclaimer

Copyright © 2022 KHZ LTD

The content of this datasheet is protected by U.K. and foreign copyright law and is for the private use of users of OMEGA products. Unauthorised use of the contents of this datasheet may violate copyright, trademark and other laws.

THE CONTENT OF THIS DATASHEET IS PROVIDED FOR INFORMATIONAL PURPOSES ONLY, AND IS SUBJECT TO CHANGE WITHOUT NOTICE.

KHZ LTD MAKES NO REPRESENTATION ABOUT ACCURACY, RELIABILITY OR TIME-LINES OF THE CONTENT OF THIS DATASHEET OR THE RESULTS TO BE OBTAINED FROM USING ANY PART OF SUCH CONTENT. ALL WARRANTIES, EXPRESS OR IMPLIED RELATED TO SUCH CONTENT, INCLUDING THE WARRANTY OF MERCHANT AND FITNESS FOR A PARTICULAR PURPOSE, ARE DISCLAIMED.

Technical specifications, dimensions, weights and properties do not represent guaranteed qualities. This datasheet does not include all of the details of design, production or variations of the equipment.

G.S.S.S.[™], S.A.L.T.[™] Plate Array Skeleton[™], Zero Acoustic Signature, Technology[™] and H.T.V.C.[™] are trademarks of KHZ LTD. All third-party trademarks mentioned herein are the property of their respective owners.