

# **MI/ODI/O add-on card**

## **Owner's manual**

The MI/ODI/O has one Coaxial Input/Output, one Optical digital Input and 16 channels MIDI Input/Output.

The MI/ODI/O is designed to be used with the Waveterminal 192 series of audio cards as an add-on. It's easy to install and does not require any additional power supply or drivers to install. No new IRQ set up involved.

The MI/ODI/O has one Coaxial Input/Output, one Optical digital Input and 16 channels MIDI Input/Output. The MI/ODI/O lets you get more from your Waveterminal 192 series by adding the power of S/PDIF In and Out and MIDI I/O.

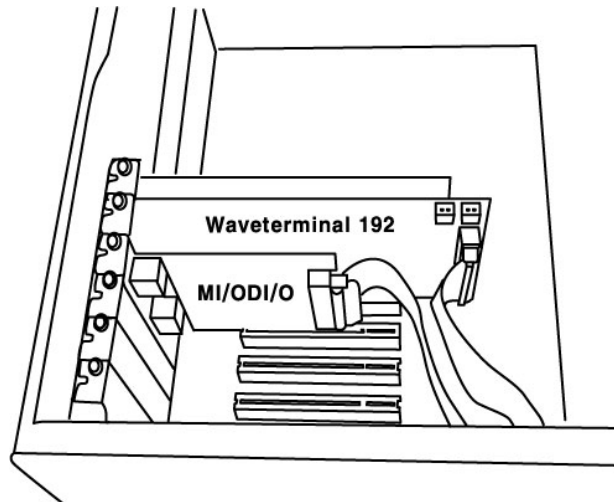
MI/ODI/O driver already included in EWDM driver of Waveterminal 192 series. Therefore, by the installation of the driver of Waveterminal 192 series, you can use MI/ODI/O right away.

Just hook it up to your Waveterminal 192 card like a below picture and you're ready to go!

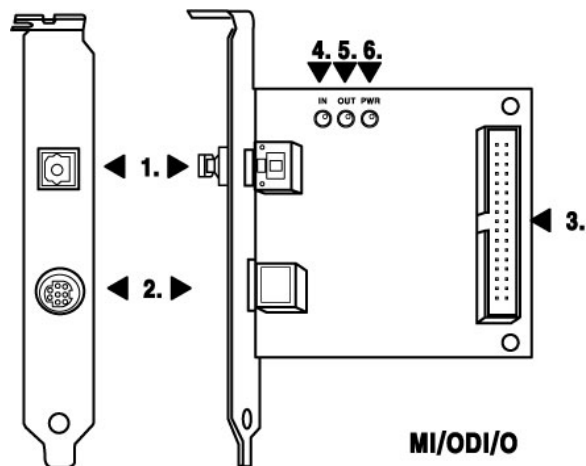
### **1. To install the MI/ODI/O in your computer**

1. Turn off the computer power and remove the cover.
2. You require one empty slot close to the Waveterminal 192 series.
3. Connect the MI/ODI/O connection cable to the Waveterminal 192 connector. The cable can be connected only one way.
4. Place the MI/ODI/O into the empty slot. Be careful not to touch other cards to avoid any damage to the cards.

5. Tighten the screw using proper tool.
6. Check to see if the MI/ODI/O is in place firmly.



## 2. MI/ODI/O add on card



### 1. SPDIF Optical Input (24bit/96kHz)

Using this Optical input port with Waveterminal series's Optical output, you can use Optical In/Out with external device.

**Caution: Although MI/ODI/O's Tos-Link Optical I/O port can't**

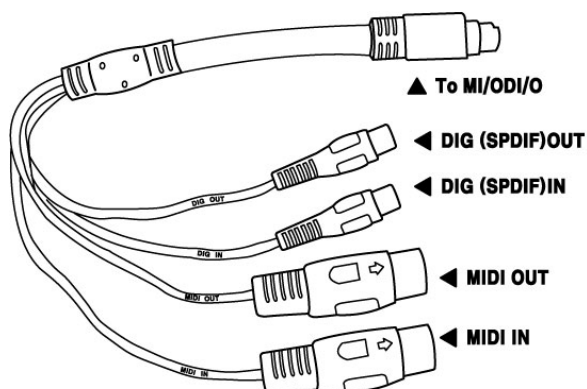
support 192kHz in specification, we got the reports shows possibility while we were testing. However, it heavily depends on system environment, It may have problem on over 100kHz sample rate.

**You have to use high quality Optical cable otherwise you may get loss of data or distortion.**

## 2. External connector port

This port is for connecting MI/ODI/O add-on card to Waveterminal 192 series. MI/ODI/O add-on card makes Waveterminal 192 X & L a total of 4 in 8out Audio / 16 MIDI channel integrated audio interface. This port is connecting for the exclusive external connection cable. This cable is provided with the MI/ODI/O.

As next picture, the cable consists of total of 5 connectors. On one end, there is an 8-pin connector to MI/ODI/O. The other end, there are two small connectors for SPDIF digital In/Out port and large connectors for MIDI interface In/Out. These 4 cables are labeled for easier distinction.



## 3. Connector for Waveterminl 192 series

Using provided cable, connect MI/ODI/O and Waveterminal 192 series

#### **4. 5. In, Out – MIDI In/Out display**

When MIDI signal flows through MI/ODI/O, This LED will be blinking.

#### **6. PWR**

It is MI/ODI/O power LED(Indicator). When connect MI/ODI/O on your computer and turn on computer, this LED will lit.

### **SPECIFICATIONS**

#### 1. MIDI Interface

- 1) 16 Channel MIDI In/Out Interface

#### 2. Coaxial Digital In/Out Spec

- 1) Format : IEC-958 Consumer(S/PDIF),  
IEC-958 Professional(AES/EBU)
- 2) Sample Rate : 16, 22, 24, 32, 44.1, 48, 88.2, 96,  
176.4(192X only), 192 KHz
- 3) Resolution : 24 Bits

#### 3. Optical Digital In Spec

- 1) Format : IEC-958 Consumer(S/PDIF),  
IEC-958 Professional(AES/EBU)
- 2) Sample Rate : 16, 22, 24, 32, 44.1, 48, 88.2, 96 KHz
- 3) Resolution : 24 Bits

#### 4. LED Signal Display

- 1) MIDI In : Green
- 2) MIDI Out : Yellow
- 3) Power : Red