

HD-3W Datasheet



The tri-amp concentric design with 16 ohm impedance ensures easy daisy-chaining from the minimum quantity of amplifiers. Integrated Aeroquip flying strip system ensure an easy to rig and reliable mounting system. Multiple combinations of up to 9 HD-3W can be flown in a cluster creating a wall of sound capable of extreme sound pressure levels of 151 dB SPL.

The exposed horn and phase plug designed gives the enclosure a unique look ideal for nightclubs and festivals. A foam front steel grill is available when discreet applications are required, which easily attaches to the HD-3W.

The enclosure has hardwearing paint that has a triple undercoat and an extra thick splatter finish which is long lasting and easy to touch up after years of use. An array of integrated heavy duty steel carry handles have been carefully positioned for the best ergonomic handling, with 4 handles located on each side and 1 handle on the top and on

the bottom. Integrated wooden skids are located on the top and bottom of the HD-3W for locking multiple units together. The skids located on the under-side also serve as a wear protection plate that prevents the enclosure from getting damaged.

Mounting options include two 1 meter long integrated aluminium Aeroquip flying track (for use with CFEK flying eyes) located on each side and two smaller flying tracks on the rear of the enclosure, designed to give ultimate angle and loading flexibility. The HD-3W may be partially or fully flown as required, via either the fully integrated flying tracks or using custom flying frames for multiple HD enclosures to a maximum of 3×3 per frame.

The rear cast aluminium heat sink plate has two integrated NL-8 speakON® connectors fitted as standard. One input and one link.

The speakON® connectors are wired:

- Pass through on pins +1-1,
- 2x 10" low mid drivers on pins +2-2,
- 3.75" Mid on pins +3-3,
- 1.75" High on pins +4-4

Key features:

- 40 x 20 degree narrow dispersion
- Large format long throw horn
- Point source array or single use
- 16 ohm tri-amp design
- 141 dB SPL
- Aerospace grade 7075-T6511 aluminium flying points
- 10 x Heavy duty recessed steel handles

Technical Specifications

Design

3 way Mid High Cabinet, horn loaded Tri-amp

Impedance

16 ohm HF / 16 ohm MF / 16 ohm LF

Power Handling (AES)

80 W HF / 180 W MF / 500 W LMF
(continuous)

Max. Power Handling (AES)

160 W HF / 360 W MF / 1000 W LF (program)
320 W HF / 720 W MF / 2000 W LF (peak 10
ms)

Sensitivity 2.83V / 1m

117 dB HF / 117 dB MF / 108 dB LF

Max. SPL

135 dB cont.
141 dB peak

Frequency Response (± 3 dB)

89 Hz – 23 kHz

Dispersion

40° x 20°

SYSTEM OPERATION

Recommended Amplification

500W - 1000 Watts

System Controller

Omega DSP Solutions

Speaker Cables

Min - 4 x 2.5 mm²
Preferred - 4 x 4 mm²

PRODUCT FEATURES

Components

2 x 10" + Coax 2" + 1" CD

Crossover

Passive -

Active - * LPF : - Hz HF / 6.3 kHz MF
 630 Hz LF
 HPF : 6.3 kHz HF / 630 Hz MF
 110 Hz LF

Connectors

2 x 8 pole speakON® connectors

Dimensions (H x W x D mm)

1156 x 577 x 855

Weight (kg)

109

Shipping Weight (kg)

111 (1 cabinet per carton)

Colour

Black

Options

Available in white or RAL colours on request

Rigging

2 x Flying Strip Hardware on sides for hanging

HARDWARE

Fitted as Standard

Flying Strip

Optional

HD Flying Frame, HD TD Dolly-board, CFEK
Flying Eyes

Additional Descriptive Data

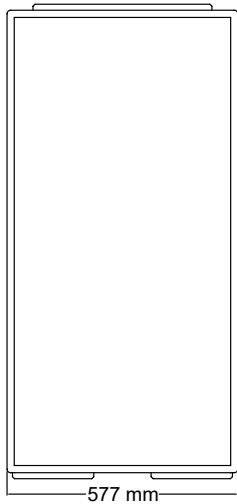
Birch plywood construction, with durable
scratch resistant black polyurea paint finish
kickproof steel grill, external reticulated foam
and steel Omega logo.

Recommended filter settings are available on
the website omegaproaudio.co.uk/downloads

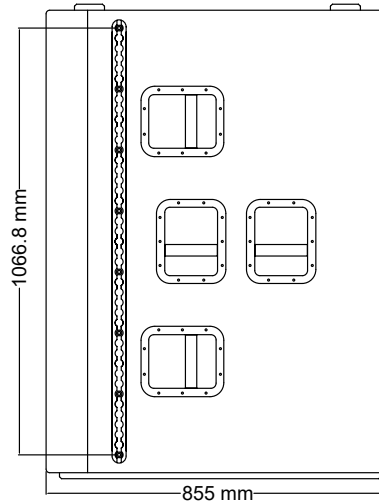
* All presets from the Omega library.

HD-3W Dimensions

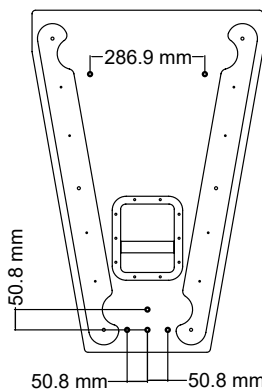
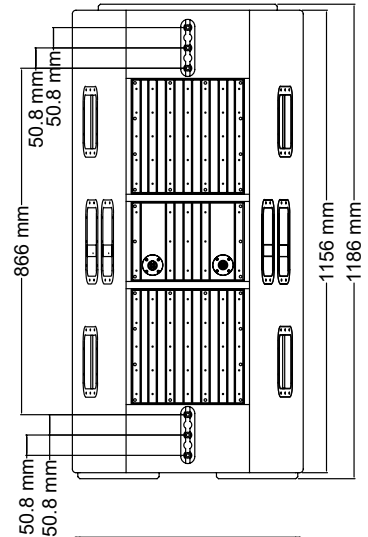
Front



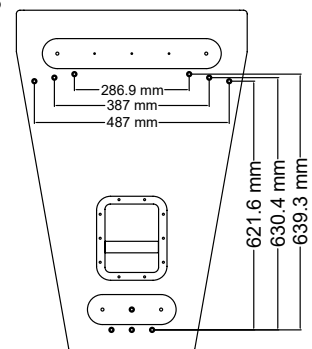
Side



Back



Top



Bottom

Further technical drawings for architectural requirements are available in DXF and DWG format for download on the website.

Accessories and Spare Parts

- Aluminium Flying Strip
- Large bar handles
- HD-3W Skids
- HD-3W steel grill assembly
- HD-3W Crossover & backplate
- 2 x 10" low frequency driver
- 1 x Coax 2" mid frequency
- 1x 1" Compression driver
- Steel Omega logo

Architects' & Engineers' specifications:

3 Way Mid High Cabinet, horn loaded Tri-amp cabinet design. with 2 x 10" cast chassis drivers, internally and externally ventilated double-sided high temperature voice coils, with a 2" plus 1" Neodymium coaxial compression exit driver all mounted on a proprietary horn flare. Constructed from birch plywood, with integral metal hardware fixings, finished in a durable scratch resistant black textured paint, 10 x ergonomic carry handles, kick-proof steel grill finished with black reticulated foam and a stainless steel Omega logo.

Technical Data:

Frequency Response: 89 Hz - 23 kHz (± 3 dB), Maximum SPL: 135 cont. / 138 prog. / 141 peak. dB/1m, Maximum Power Handling: 80 HF / 180 MF / 500 LMF Watt cont. 160 HF / 360 MF / 1000 LMF Watt prog. / 320 HF / 720 MF / 2000 LMF Watt peak, Impedance Nominal: 16 ohm HF / 16 ohm MF 16 ohm LMF, Dispersion Nominal: 40° x 20° (hor. x vert.), Connectors: 2 x speakON® connectors NL8MP (LMF: 2+/2-, MF: 3+/3-, HF: 4+/4-), Dimensions (H x W x D): 1186 x 577 x 855mm, Weight: 109 Kg, Options: Aluminium Castor Trolley, Durable scratch resistant black textured paint finish. RAL colours available to order.

Safety Instructions

Professional speaker systems are able to produce sound pressure levels that could harm your health.

Never stand directly in front of loudspeakers for long periods. Whilst not immediately apparent to the listener, sound pressure levels in excess of 90dB@1m can be hazardous to the hearing.

Please refer to the following advice when setting up or dismantling OMEGA speaker systems.

1. Be sure to leave adequate distance between speakers and the public. Refer to your local authority for Health and Safety guidance when using loudspeaker systems.
2. Be sure to have safe and stable ground for your speakers, particularly when using speaker stands.
3. When stacking speaker systems, ensure they are secured to prevent individual speakers from falling down or moving around.
4. Only use OMEGA mounting hardware, as this has been specified and approved by KHZ LTD, for use with OMEGA speakers.
5. When flying speakers, appropriate materials and techniques must be employed in order to safely suspend enclosures, taking care to allow for specified enclosure weight.
6. Please observe any special instructions that appear on specific loudspeaker data-sheets.

Safety Instructions Cont.

7. Check your speaker hardware and flying material regularly for any visual or mechanical failure. Replace damaged or suspect items when necessary.

8. Only use OMEGA DSP Solutions. Only technicians authorised by KHZ LTD are qualified to program digital controllers. Take note of recommended controllers as specified on the datasheets. Do not use OMEGA loudspeaker systems without the correct controller. If a system fails due to incorrect controller use, warranty is void.

9. Protect your speakers and electronics from freezing and do not expose them to humidity, water or rain without protection.

OMEGA loudspeakers and electronics are covered against defects in workmanship or materials for a period of two (2) years from original date of purchase. At the discretion of KHZ LTD, the defective item will be repaired/replaced with no charge for materials or labour. The item is to be adequately packed and dispatched, pre-paid, to an OMEGA authorised distributor/service centre. Unauthorised repair shall void the warranty. The OMEGA warranty does not cover cosmetics or finish and does not apply to any item which in OMEGA's opinion has failed due to user abuse, accident, modifications or any type of misuse.

Disclaimer

Copyright © 2022 KHZ LTD

The content of this datasheet is protected by U.K. and foreign copyright law and is for the private use of users of OMEGA products. Unauthorised use of the contents of this datasheet may violate copyright, trademark and other laws.

THE CONTENT OF THIS DATASHEET IS PROVIDED FOR INFORMATIONAL PURPOSES ONLY, AND IS SUBJECT TO CHANGE WITHOUT NOTICE.

KHZ LTD MAKES NO REPRESENTATION ABOUT ACCURACY, RELIABILITY OR TIME-LINES OF THE CONTENT OF THIS DATASHEET OR THE RESULTS TO BE OBTAINED FROM USING ANY PART OF SUCH CONTENT. ALL WARRANTIES, EXPRESS OR IMPLIED RELATED TO SUCH CONTENT, INCLUDING THE WARRANTY OF MERCHANT AND FITNESS FOR A PARTICULAR PURPOSE, ARE DISCLAIMED.

Technical specifications, dimensions, weights and properties do not represent guaranteed qualities. This datasheet does not include all of the details of design, production or variations of the equipment.

G.S.S.S.[™], S.A.L.T.[™] Plate Array Skeleton[™], Zero Acoustic Signature, Technology[™] and H.T.V.C.[™] are trademarks of KHZ LTD. All third-party trademarks mentioned herein are the property of their respective owners.