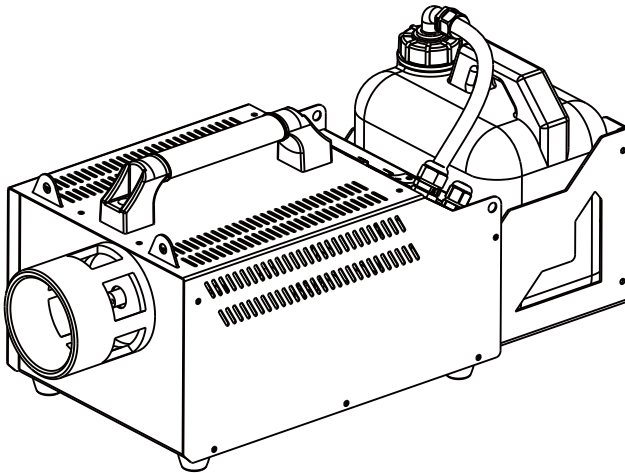




[ PRO STAGE EFFECTS ]



## **H-7D** USER MANUAL

**DUAL NOZZLE FOG MACHINE**

## ◆ Foreword

Thank you very much for choosing DJPOWER H-7D Dual Nozzle Fog Machine. Before start operating, we strongly suggest you to read the user manual carefully. Following the instructions here will ensure your safety while operating the machine, easily achieve the best effect, as well as understand the right way to care for and maintain the machine, hence to prolong the product life cycle.

## ◆ Introduction

- DJPOWER H-7D Dual Nozzle Fog Machine comes with two nozzles, easily creating huge amount of fog. Output is twice than that of the similar machines in the market.
- It adopts DJPOWER unique “immediate-stop” patent technology, no fog resides when stop spraying fog; no water dripping from the nozzle when hang high. The far-distance of fog reaching, rapid fog spraying, low use-cost and easy installation make it pretty suitable for large performance and venues! It can also be used to simulate Fog Jet Effect.

## ◆ Features

1. Rapid fog spraying and far-distance fog reaching.
2. Two Nozzles, double fog output.
3. Unique “immediate-stop” patent technology, no fog residues, no water condensation.
4. Simulating Fog Jet effect, suitable for large performance.
5. Low-use cost, easy to install.
6. Please use the original DJPOWER PRO-V fog fluid otherwise it might cause block and water squirting.

## ◆ Safety operation

- Keep the fixture dry. For indoor and outdoor use.
- Use grounded electrical outlet. Prior to use, make sure that unit is installed at the rated voltage.
- Turn off or unplug when not using it.
- This machine is not water-proof. Please keep it away from moisture and water. If moisture, water, or fluid gets inside the housing, stop using it.
- No user serviceable and modifiable parts inside. Do not disassemble the housing and do any modification, otherwise it might cause damage to the unit or danger of burning.
- For adult use only. Fixture must be installed out of the reach of children. Never leave the unit running unattended. Keep it away from fire, combustible and flammable materials.
- Position the machine in well-ventilated area. Please leave about 50cm spaces surrounding the unit.

- Please do not use the fixture under high temperature.
- Never add flammable liquids of any kind (oil, gas, perfume) to the fog liquid.
- If something wrong happens while using, please stop the fixture immediately, cut off the power, and check the fog liquid amount, fuse, power cable and power plug. If problem could not be resolved, please contact with your dealer.
- Use only DJPOWER high-quality PRO-V fog liquid.
- Never drink liquid. If it is ingested, call a doctor immediately for any discomfort. If liquid comes in contact with skin or eyes, rinse thoroughly with water.

◆ **The following parts should be included when you receive the package:**

1. 1 x H-7D Dual Nozzle Fog Machine
2. 1 x user Manual

◆ **Unpackaging and inspection**

Upon receiving the machine, carefully unpack the carton, check all content to ensure that all parts are present and have been received in good condition. If any parts appear damaged or mishandled from shipping, please do not power on the machine. Contact with the agency immediately.

◆ **Operating instructions**

1. After ensuring all the accessories are intact, position the machine on a flat surface, and open the cover of the road case in front.
2. Press the oil tank's quick connector by thumb and forefinger, and take it out quickly to disconnect the tube and the oil tank. Take out the tank and uncover the cap. Pour the liquid PRO-V into the tank carefully, then tighten the cap. Put the tank into the machine and push the connector lightly to connect the tube and oil tank.
3. Connect the Neutrik power cord to the machine. Please make sure the required and provided electricity voltage and the electricity outlet is grounded.
4. Power on the machine, LCD screen will show "Heating".
5. After several minutes heating, LCD screen will show "Ready to work".

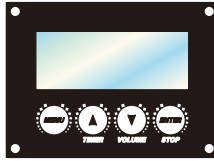
◆ **LCD Control**

1. LCD display has Chinese and English for alternative to cater to different customer's demands.
2. Please take note LCD control is void when the unit is connected to DMX.

◆ **LCD display has 4 buttons, see below:**

# H-7D DUAL NOZZLE FOG MACHINE

---



- “MENU”: Changing user interface
- “UP/TIME”: Increase; Timer output
- “DOWN/VOLUME”: Decrease; Fog output
- “ENTER/STOP”: Enter/exit; STOP

◆ **Press ENTER button, there are 8 Menus in total, as following:**

1. “READY to FOG ” : Machine finishes heating.
2. “ Interval Set ” : 5 ~ 200s
3. “ Duration Set ” : 5 ~ 200s
4. “ Timer out ” : 1% ~ 100% haze output under TIMER mode
5. “ Volume out ” : 1% ~ 100% haze output under Volume mode
6. “ DMX 512 ADD ” : 1 ~ 512
7. “ The fluid sensor setting ” : On/OFF
8. “ Language ” : Choose English or Chinese, press ENTER to save.

Under any setting interfaces, press STOP to exit or return to the first interface. When the unit is working, press STOP to stop running and return to the first interface.

Press UP and DOWN to adjust the value under the setting interface,  
Press TIMER button to enter timer mode under first interface.

Press the button TIMER, to activate the timer mode under first interface. For example, when the display indicates as below:

1. “ Interval 10s”: Interval set
2. “ Duration 10s”: Duration set

The unit will spraying fog for 10s and stop for 10s, and repeat. The output volume defaults to the value under “Timer Out” mode.

Press the button VOLUME, to activate fog output under first interface.  
The output volume defaults to the value under “Volume Out” mode.

◆ **DMX Control**

1. When the unit is connected to DMX, LCD will only display the DMX address value, press UP and DOWN button to adjust.
2. One DMX channel: Fog output, 0~5 OFF, 6~255 increase

◆ **Technical Parameter**

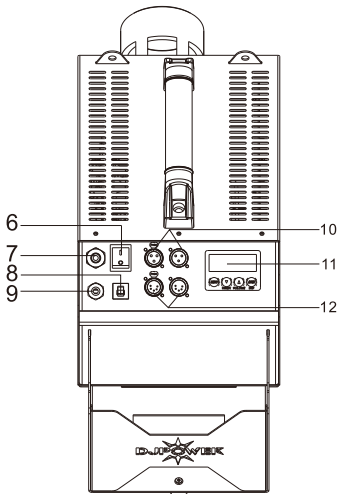
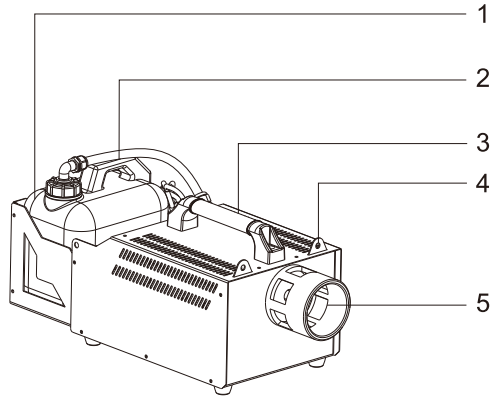
Model:	H-7D
Input Voltage:	AC 220 V~240 V, 50/60 Hz

# H-7D DUAL NOZZLE FOG MACHINE

Breaker:	15 A/250 V
Total Power Consumption:	2,500 W
Heat Up Time:	9 min
Max Output Volume:	60,000 cuft/min
Fluid Tank Capacity:	5 L
DMX-512 :	√
Net Weight:	16 kg
Gross Weight:	18 kg
Machine Dimensions:	595/243/250 mm
Packing Dimensions:	705/350/350 mm
DMX Channel:	1
Consumable:	PRO-V

## ◆ Diagram

1. Fluid container
2. Fluid tube
3. Handle
4. Safety hook
5. Nozzle
6. Power switch
7. Fluid inlet
8. Breaker
9. Power cable
10. 3-pin DMX socket
11. LCD display
12. 5-pin DMX socket



### ◆ Fog machine fluid blowout and heater blocking phenomenon analysis

Please use the original consumables, protect your health and life of machine

A.Fluid injection trouble: Refers to the fog fluid atomizing in the heater pipe of the machine is not good, heater temperature cannot be timely and effective transmit to the fog fluid, fog fluid cannot all atomization and lead to fluid injection

First reason: Using the low quality or counterfeit fog fluid, low quality fog fluid have more impurities, easy to adhere to the pipe wall and hindered temperature transmission result in incomplete atomization caused fluid injection.

Second reason: using an incorrect fog fluid. Different fog fluid have different required atomization temperature. If you use the wrong fog fluid result in fluid cannot fully atomization caused fluid injection.(fig 1)

B.Heater blocking trouble : poor atomization fluid injection is the early signs of heater block. Using poor quality fog fluid or not timely maintenance cleaning the fog machine for a long time. Inevitable will appear the terminal symptom of heater blocking.

Reason: heater blocked is because used inferior fog fluid or not maintenance for a long time. Have nothing to do with the quality of machine. Like a car with poor quality gasoline produce poor fluid circuit failure or long-time no maintenance the car will inevitably appear bigger problems. (fig 2)

C.Solutions to these problems: fog machine heating pipes used for a long time and then the pipe wall will easily produce sediments (The more inferior fog fluid the more impurities thus lead to fluid injection or blocked). All fog machines need regular maintenance (fog machine maintenance cycle for 1 to 2 months/time). Specific maintenance method: after heating the 35% white vinegar plus 65% distilled water and then spray 10 to 15 times

Conclusion: As long as the fog machine with fluid injection or heater blocking after using a period of time. It was caused by fog fluid quality or lack of maintenance, has nothing to do with the quality of the machine. Please use the original high quality fog fluid and timely maintain it, then it can be used for a long time.

Pipeline has covered by dirt, insufficient heat transfer result in water-spraying.

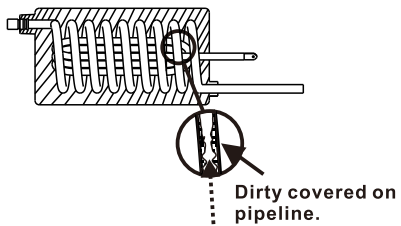


Fig 1

Pipeline has covered by dirt, that results in blocked heater.

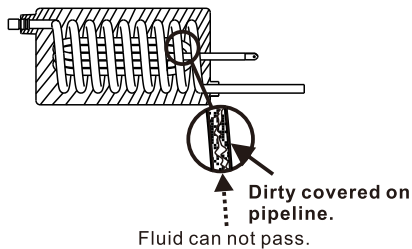


Fig 2

