

Portable PA Systems Systems

TXA-1020

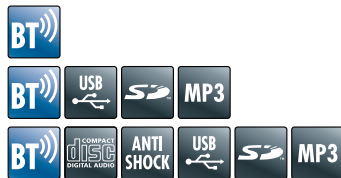
Order No. 0174590

TXA-1020USB

Order No. 0174600

TXA-1022CD

Order No. 0174610



Portable high-power amplifier systems, with integrated adjustable 2-channel multifrequency receiver unit with UHF PLL technology and Bluetooth receiver.

- High-performance class D version 120 W, with optimum efficiency
- Operation via mains connection or built-in rechargeable lead gel battery 2 x 12 V/4.5 Ah (operating time: up to 4 hours), integrated automatic battery charging with charging status indication, discharge protection
- For mobile applications, e.g. sales events, lectures
- 2 x 16 selectable UHF frequencies (863.1-864.9 MHz)
- Efficient 2-way speaker system with 25 cm (10") bass speaker
- 1 microphone input via comb. jack (XLR/6.3 mm), 1 microphone input (6.3 mm jack), 1 stereo line input (RCA), 1 aux input (3.5 mm jack), each input can be adjusted
- Common master control, 2-way tone control
- 1 stereo line output (RCA), 1 aux output (3.5 mm jack)
- Switchable microphone priority circuit
- Due to an extractable telescopic handle and 2 castors, the amplifier system can easily be pulled like a trolley
- Stand sleeve

TXA-1020:

– Amplifier system with 2-channel wireless receiver

TXA-1020USB:

- Amplifier system with 2-channel wireless receiver
- MP3 player with SD card reader and USB interface
- Supplied with remote control for MP3 player

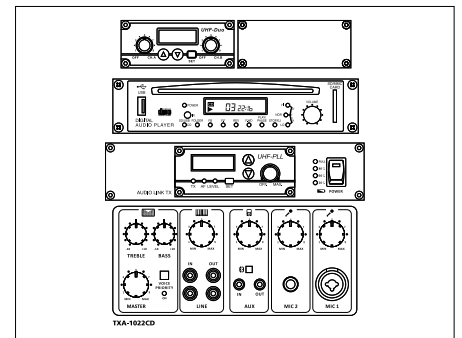
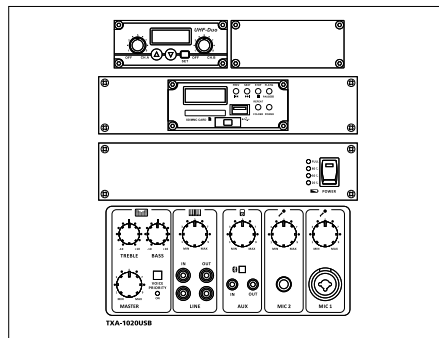
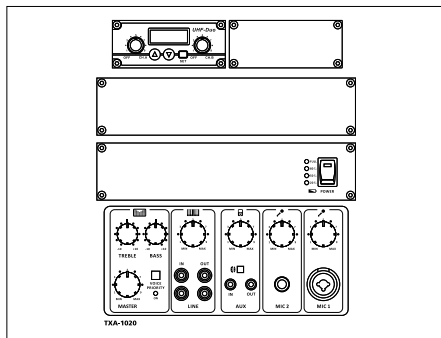
TXA-1022CD:

- Amplifier system with 2-channel wireless receiver
- CD player with anti-shock system, MP3 reproduction and slot-in mechanism, pitch control function
- SD card reader, USB interface
- 1 wireless transmitter for wireless audio link operation of several TXA-1020 systems
- Supplied with remote control for CD player

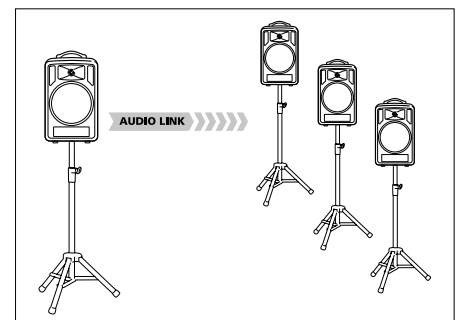
Matching microphone transmitters or pocket transmitters, e.g. TXA-800HSE, TXA-800HT or multifrequency transmitter module TXA-1020MT are available at option.



Licence-free in the EU.



Model	TXA-1020	TXA-1020USB	TXA-1022CD
Rated power (P _{RMS})	120 W	120 W	120 W
Peak output power	170 W	170 W	170 W
Frequency range	20-20,000 Hz	20-20,000 Hz	20-20,000 Hz
Carrier frequency	863.1-864.9 MHz	863.1-864.9 MHz	863.1-864.9 MHz
Operating range	≈ 30 m	≈ 30 m	≈ 30 m
Inputs	6 mV (mic), 300 mV (line, aux)	6 mV (mic), 300 mV (line, aux)	6 mV (mic), 300 mV (line, aux)
Link	optional (TXA-1020MT)	optional (TXA-1020MT)	wireless
Equalizer, bass	±10 dB/100 Hz	±10 dB/100 Hz	±10 dB/100 Hz
Equalizer, treble	±10 dB/10 kHz	±10 dB/10 kHz	±10 dB/10 kHz
Power supply	~ 230 V/50 Hz/170 VA, rech. battery: 2 x 12 V/4.5 Ah	~ 230 V/50 Hz/170 VA, rech. battery: 2 x 12 V/4.5 Ah	~ 230 V/50 Hz/170 VA, rech. battery: 2 x 12 V/4.5 Ah
Dimensions	360 x 580 x 320 mm	360 x 580 x 320 mm	360 x 580 x 320 mm
Weight	17.8 kg	17.25 kg	18.2 kg
Connections	1 x XLR/6.3 mm jack (mic), 1 x 6.3 mm jack (mic), 1 x RCA L/R (line in), 1 x 3.5 mm jack (line in), 1 x RCA L/R (line out), 1 x 3.5 mm jack (line out)	1 x XLR/6.3 mm jack (mic), 1 x 6.3 mm jack (mic), 1 x RCA L/R (line in), 1 x 3.5 mm jack (line in), 1 x RCA L/R (line out), 1 x 3.5 mm jack (line out)	1 x XLR/6.3 mm jack (mic), 1 x 6.3 mm jack (mic), 1 x RCA L/R (line in), 1 x 3.5 mm jack (line in), 1 x RCA L/R (line out), 1 x 3.5 mm jack (line out)



Audio link operation:

The integrated wireless transmitter of the TXA-1022CD transmits audio signals to one or several TXA-1020 systems. Ideally suited for larger indoor PA applications where a consistent sound radiation is required.