

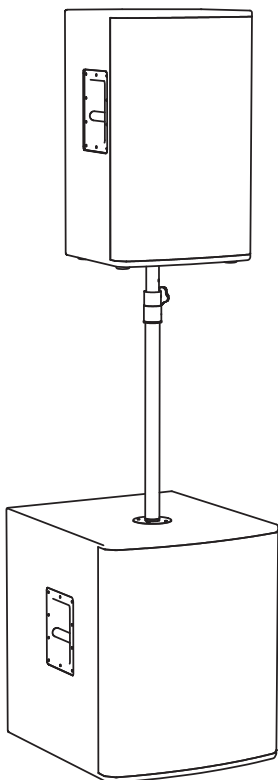
Z-series

Specifications & rigging guide

CONTENTS

This contents & System application	2
Z 100 specifications	3
Z 120 specifications	4
Z 150 specifications	5
Z 155 specifications	6
Z 220 specifications	7
Z 250 specifications	8
Z S12 specifications	9
Z S15 specifications	10
Z S18 specifications	11
Z 100A specifications	12
Z 120A specifications	13
Z 150A specifications.....	14
Z 155A specifications.....	15
Z 220A specifications.....	16
Z 250A specifications.....	17
Z S12A specifications.....	18
Z S15A specifications.....	19
Z S18A specifications.....	20

SYSTEM APPLICATION



Z series is designed for budget, small and medium sized indoor spaces. Versatile and reliable loudspeakers with professional sound quality and modern looks, passive and powered Z series speakers are suitable for wide variety of applications. Full-range cabinet's specialized design allows to use them for stage monitoring, thusly greatly improving versatility and possible application ranges of Z series.

Featuring low-wear cabinet coating, high-quality components and thoroughly worked out sonic performance, Z series speakers complete with speaker way beyond their price range.

To achieve such combination of high performance, optimal sound quality and strict budget constraints, Z series systems were carefully optimized, with only highquality and reliability sensitive components left: chipboard cabinets with obligatory birch plywood front panels, reliable Neutrik speakON connectors, and MAG loudspeakers and high-frequency drivers known for long-tern reliability.

Both passive and powered version are available for all models. Powered cabinets feature bi-amp amplifiers, built-in DSP providing crossover, limiting, equalization, and wireless controls capability for ease of installation and setup.

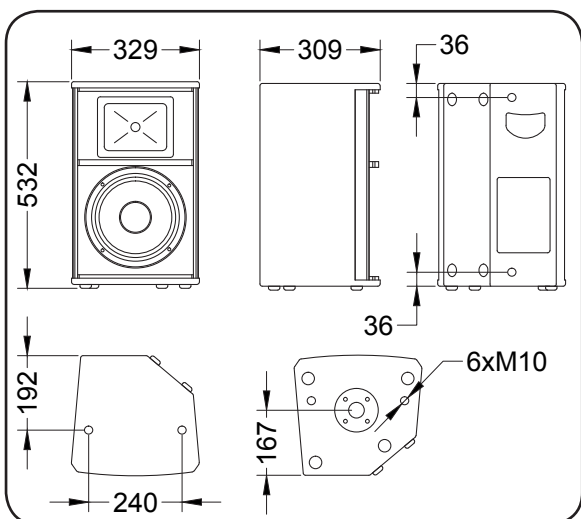
Z 100

Full-range passive speaker



Small and lightweight, Z 100 is the 10" + 1" speaker with stage monitoring capability. Based on highly reliable own produced components, Z 100 offers superior sonic performance and reasonable pricing for small-scaled installations and mobile speaker sets. Numerous M10 mounting points extend application range of Z 100 speaker even further.

Type	Full-range passive speaker
Acoustical & Electrical	
Frequency range (-10 dB)	65 - 18000 Hz
Max SPL (peak)	125 dB (calculated)
Sensitivity (1W/1m)	95 dB
LF Transducer	10", M1020
HF Transducer	1", M075
Nominal coverage HxV	60° x 40°
Impedance	8 Ohm / 4 Ohm
Nominal power	250 W
Program power	500 W
Peak power	1000 W
Connections & physical data	
Connectors	2x Neutrik Speakon
Dimensions (WxHxD)	329x532x309 mm
Net weight	16,5 kg
Shipping weight	19,5 kg
Mounting	Pole mount adapter 6x M10 flying points
Enclosure materials	Plywood; MDF; wear-resistant paint
Grill	Steel grill, polymere protective net
Color	Black



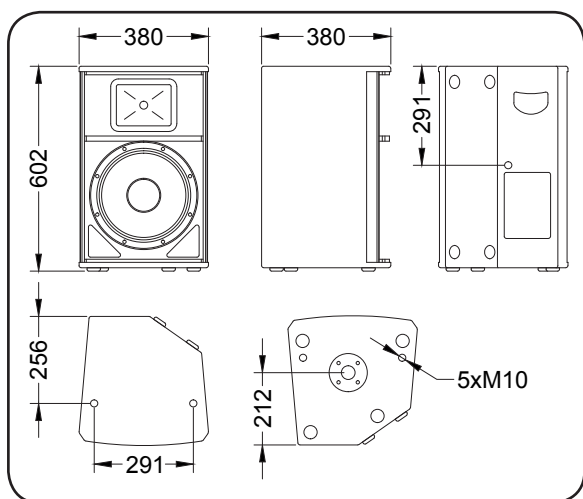
Z 120

Full-range passive speaker



Z 120 is the versatile small-scale mobile or installation speaker, including numerous MID flying points for wall or ceiling mounting and stage monitoring capability. Based on own produced highly reliable components, Z 120 is reasonably priced solution with superior sonic performance for fixed setups or mobile speaker sets.

Type	Full-range passive speaker
Acoustical & Electrical	
Frequency range (-10 dB)	60 – 18000 Hz
Max SPL (peak)	126 dB (calculated)
Sensitivity (1W/1m)	96 dB
LF Transducer	12", M1215
HF Transducer	1", M075
Nominal coverage HxV	60° x 40°
Impedance	8 Ohm / 4 Ohm
Nominal power	250 W
Program power	500 W
Peak power	1000 W
Connections & physical data	
Connectors	2x Neutrik Speakon
Dimensions (WxHxD)	380x602x380 mm
Net weight	21 kg
Shipping weight	24 kg
Mounting	Pole mount adapter 6x MID flying points
Enclosure materials	Plywood; MDF; wear-resistant paint
Grill	Steel grill, polymere protective net
Color	Black



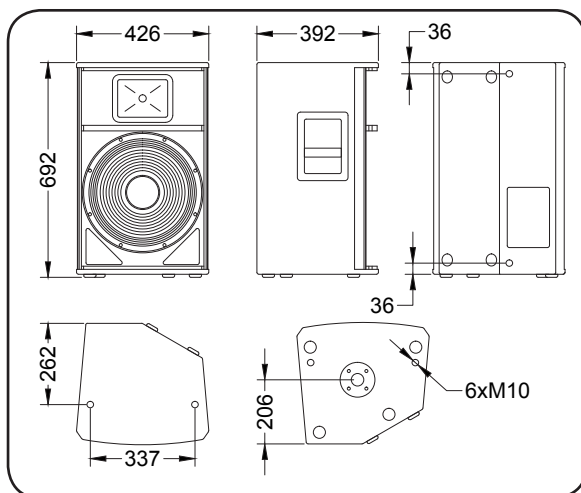
Z 150

Full-range passive speaker



15" + 1" speaker with great sonic performance, the Z 150 is the choice for fixed installations and mobile speaker sets alike. The speaker provides for many usability options, including pole mounting, wall or ceiling mounting using integrated MID points, and stage monitoring capability. Based on own produced components, Z 150 perfectly blends reliability with attractive pricing.

Type	Full-range passive speaker
Acoustical & Electrical	
Frequency range (-10 dB)	50 - 18000 Hz
Max SPL (peak)	128 dB (calculated)
Sensitivity (1W/1m)	98 dB
LF Transducer	15", M1516
HF Transducer	1", M075
Nominal coverage HxV	60° x 40°
Impedance	8 Ohm / 4 Ohm
Nominal power	250 W
Program power	500 W
Peak power	1000 W
Connections & physical data	
Connectors	2x Neutrik Speakon
Dimensions (WxHxD)	426x692x392 mm
Net weight	25,5 kg
Shipping weight	28,5 kg
Mounting	Pole mount adapter 6x MID flying points
Enclosure materials	Plywood; MDF; wear-resistant paint
Grill	Steel grill, polymere protective net
Color	Black



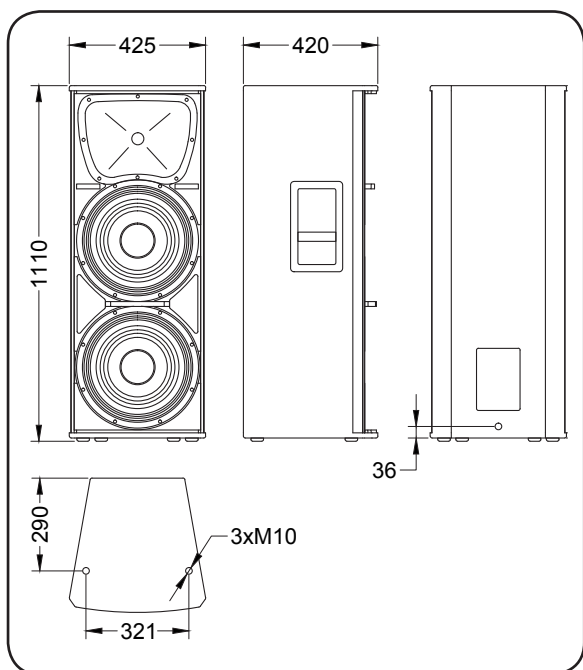
Z 155

Full-range passive speaker



Z 155 is extended bass dual 15" speaker for more audio performance demanding cases. Providing convincing power handling capability, it is perfectly suitable for a small or medium sized club, restaurant or entertainment center. Based on own produced components, Z 155 provides great combination of price and productivity.

Type	Full-range passive speaker
Acoustical & Electrical	
Frequency range (-10 dB)	50 - 18000 Hz
Max SPL (peak)	135,5 dB (calculated)
Sensitivity (1W/1m)	100,5 dB
LF Transducer	2x15", M1524
HF Transducer	1,5", M115
Nominal coverage HxV	100° x 50°
Impedance	4 Ohm
Nominal power	750 W
Program power	1500 W
Peak power	3000 W
Connections & physical data	
Connectors	2x Neutrik Speakon
Dimensions (WxHxD)	425x1110x420 mm
Net weight	39 kg
Shipping weight	42 kg
Mounting	12x M10 flying points
Enclosure materials	Plywood; MDF; wear-resistant paint
Grill	Steel grill, polymere protective net
Color	Black



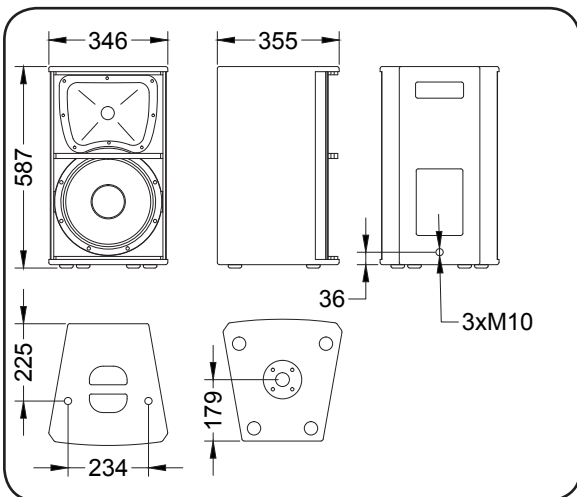
Z 220

Full-range passive speaker



Adding even more variety into affordable Z series, Z 220 is 12" neo-dymium woofer full-range speaker. With decreased weight and improved sound profile, it is great for mobile sound professionals looking for small yet perfectly sounding speaker. Includes numerous mounting options, including wall, ceiling mounting and pole mounting.

Type	Full-range passive speaker
Acoustical & Electrical	
Frequency range (-10 dB)	55 - 18000 Hz
Max SPL (peak)	128 dB (calculated)
Sensitivity (1W/1m)	96 dB
LF Transducer	12", 12N400
HF Transducer	1.5", M115
Nominal coverage HxV	100° x 50°
Impedance	8 Ohm / 4 Ohm
Nominal power	400 W
Program power	800 W
Peak power	1600 W
Connections & physical data	
Connectors	2x Neutrik Speakon
Dimensions (WxHxD)	346x587x355 mm
Net weight	17 kg
Shipping weight	20 kg
Mounting	Pole mount adapter 3x MID flying points
Enclosure materials	Plywood; wear-resistant paint
Grill	Steel grill, polymere protective net
Color	Black



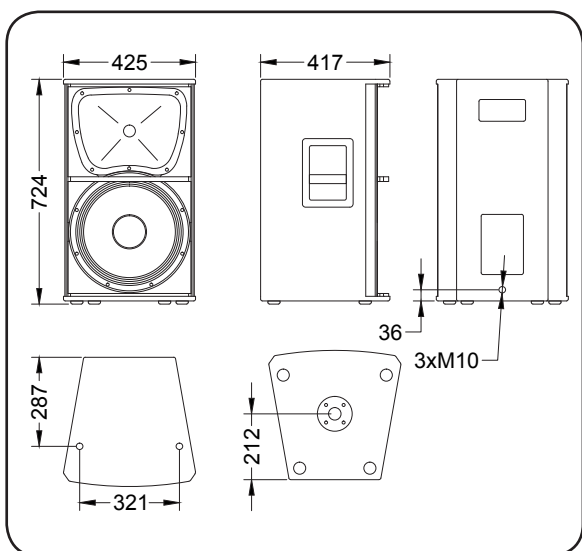
Z 250

Full-range passive speaker



High performance 15" neodymium speaker with many installation capabilities, including pole mounting and wall and ceiling mounting via built in MID adapters. Z 250 is perfect speaker for mobile sound professionals with passion for great sound still considering budget constraints. Extremely reliable speaker involving own produced components.

Type	Full-range passive speaker
Acoustical & Electrical	
Frequency range (-10 dB)	50 - 18000 Hz
Max SPL (peak)	130 dB (calculated)
Sensitivity (1W/1m)	98 dB
LF Transducer	15", 15N400
HF Transducer	1,5", M115
Nominal coverage HxV	100° x 50°
Impedance	8 Ohm / 4 Ohm
Nominal power	400 W
Program power	800 W
Peak power	1600 W
Connections & physical data	
Connectors	2x Neutrik Speakon
Dimensions (WxHxD)	425x724x417 mm
Net weight	23 kg
Shipping weight	26 kg
Mounting	Pole mount adapter 3x MID flying points
Enclosure materials	Plywood; wear-resistant paint
Grill	Steel grill, polymere protective net
Color	Black



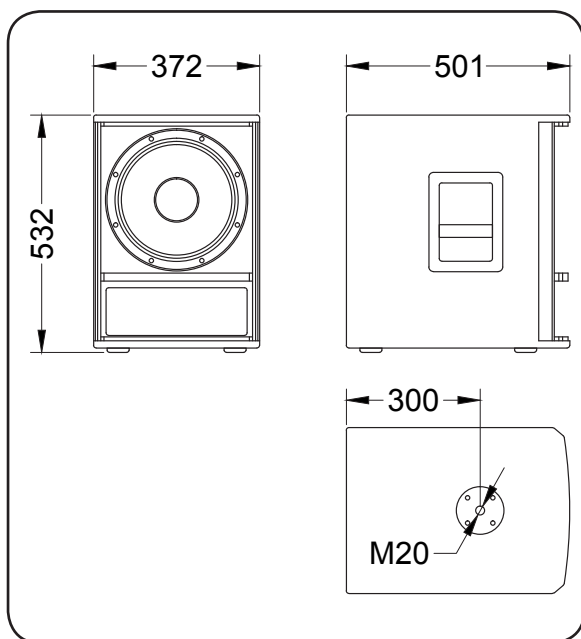
Z S12

Passive subwoofer

Small, yet potent, the Z S12a is compact low frequency extension loudspeaker for reinforcing Z series' full-range cabinets. Based on own produced long excursion 12" woofer and effective vented box, Z S12 is perfect for mobile sound system or small-scaled installation due to small dimensions and light weight.



Type	Passive subwoofer
Acoustical & Electrical	
Frequency range (-10 dB)	50 – 300 Hz
Max SPL (peak)	129 dB (calculated)
Sensitivity (1W/1m)	97 dB
LF Transducer	12", M1240
Impedance	8 Ohm / 4 Ohm
Nominal power	400 W
Program power	800 W
Peak power	1600 W
Connections & physical data	
Connectors	2x Neutrik Speakon
Dimensions (WxHxD)	372x532x501 mm
Net weight	29 kg
Shipping weight	32 kg
Enclosure materials	Plywood; MDF; wear-resistant paint
Grill	Steel grill, polymere protective net
Color	Black



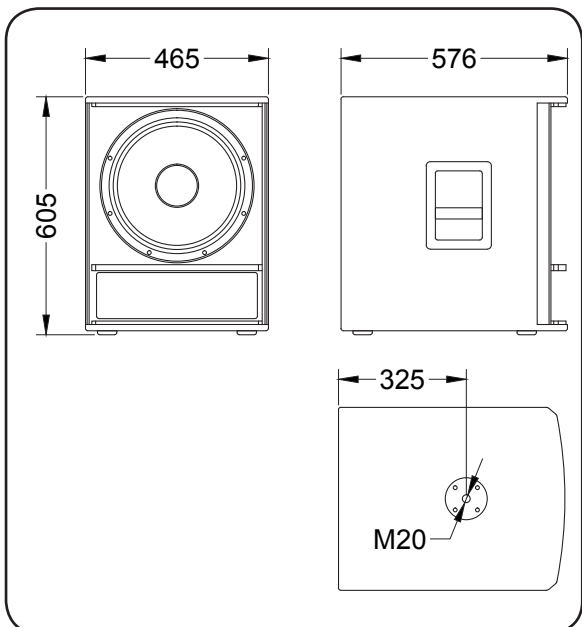
Z S15

Passive subwoofer



Affordable low frequency extension loudspeaker, Z S15 is based on own produce reliable long excursion 15" woofer within effective vented box. Designed specifically to reinforce Z series' full-range cabinets, Z S15 in a great combination of performance and weight for mobile sound professionals to benefit from.

Type	Passive subwoofer
Acoustical & Electrical	
Frequency range (-10 dB)	45 - 300 Hz
Max SPL (peak)	129,5 dB (calculated)
Sensitivity (1W/1m)	97,5 dB
LF Transducer	15", M1540
Impedance	8 Ohm / 4 Ohm
Nominal power	400 W
Program power	800 W
Peak power	1600 W
Connections & physical data	
Connectors	2x Neutrik Speakon
Dimensions (WxHxD)	465x605x576 mm
Net weight	37 kg
Shipping weight	40 kg
Enclosure materials	Plywood; MDF; wear-resistant paint
Grill	Steel grill, polymere protective net
Color	Black



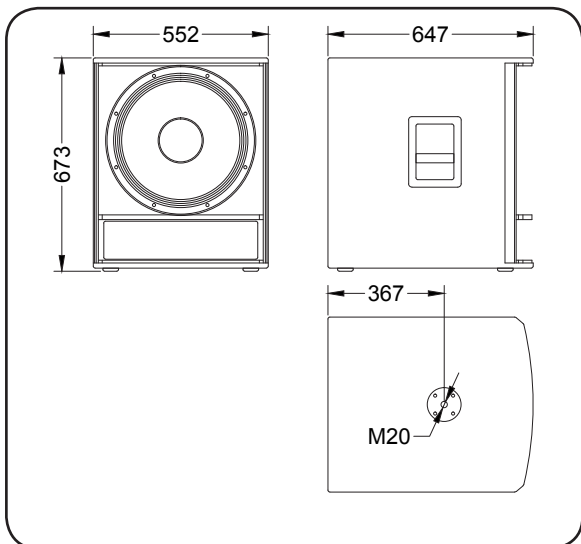
Z S18

Passive subwoofer



Z S18, designed specifically to reinforce Z series' full-range cabinet, is high performance 18" low frequency extension loudspeaker. Own produced long excursion woofer in a effective vented cabinet, Z S18 is reliable solution for demanding mobile speaker set and fixed installation alike.

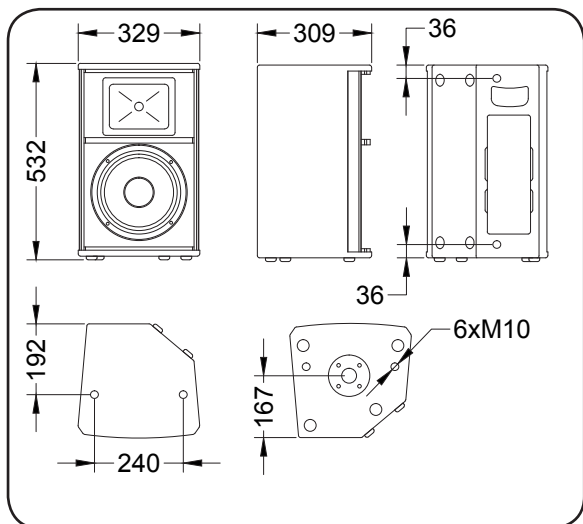
Type	Passive subwoofer
Acoustical & Electrical	
Frequency range (-10 dB)	40 - 300 Hz
Max SPL (peak)	129,5 dB (calculated)
Sensitivity (1W/1m)	97 dB
LF Transducer	18", M1840
Impedance	8 Ohm / 4 Ohm
Nominal power	450 W
Program power	900 W
Peak power	1800 W
Connections & physical data	
Connectors	2x Neutrik Speakon
Dimensions (WxHxD)	552x673x647 mm
Net weight	42 kg
Shipping weight	45 kg
Enclosure materials	Plywood; MDF; wear-resistant paint
Grill	Steel grill, polymere protective net
Color	Black



Z 100A

Full-range powered speaker

Small and lightweight, Z 100A is the 10" + 1" powered speaker with stage monitoring capability. Based on highly reliable own produced components, Z 100A offers superior sonic performance and reasonable pricing for small-scaled installations and mobile speaker sets. Built-in class D amplifier with Bluetooth controls provides for ease of use even by inexperienced personnel.



Type	Full-range powered speaker
Acoustical & Electrical	
Frequency range (-10 dB)	65 - 18000 Hz
Max SPL (peak)	125 dB (calculated)
LF Transducer	10", M1020
HF Transducer	1,5", M075
Nominal coverage HxV	60° x 40°
Power	350 W
Amplifier	Class D, convection cooling
Input sensitivity	0 dBV
Connections & physical data	
Connectors	2x XLR
Dimensions (WxHxD)	329x532x309 mm
Net weight	19 kg
Shipping weight	22 kg
Mounting	6x M10 flying points Pole mount adapter
Enclosure materials	Plywood; MDF wear-resistant paint
Grill	Steel grill, polymere protective net
Color	Black

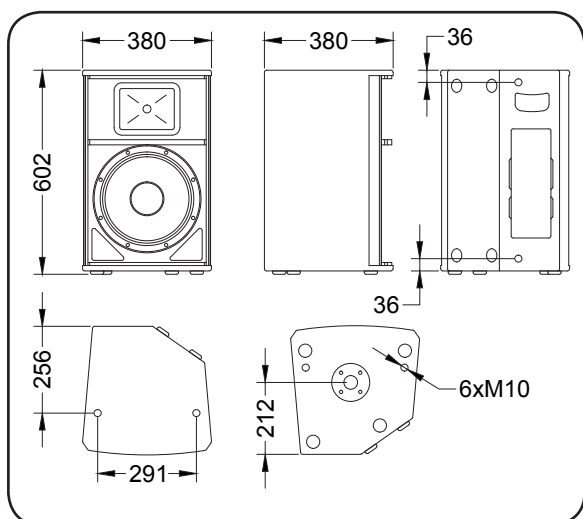
Z 120A

Full-range powered speaker



Z 120A is the versatile small-scale mobile or installation powered speaker, including numerous MID flying points and stage monitoring capability. Based on own produced highly reliable components, Z 120A is reasonably priced solution with superior sonic performance for fixed setups or mobile speaker sets. Built-in class D amplifier with Bluetooth controls provides for ease of use even by inexperienced personnel.

Type	Full-range powered speaker
Acoustical & Electrical	
Frequency range (-10 dB)	60 - 18000 Hz
Max SPL (peak)	126 dB (calculated)
LF Transducer	12", M1215
HF Transducer	1,5", M075
Nominal coverage HxV	60° x 40°
Power	350 W
Amplifier	Class D, convection cooling
Input sensitivity	0 dBV
Connections & physical data	
Connectors	2x XLR
Dimensions (WxHxD)	380x602x380 mm
Net weight	23,5 kg
Shipping weight	26,5 kg
Mounting	6x MID flying points Pole mount adapter
Enclosure materials	Plywood; MDF wear-resistant paint
Grill	Steel grill, polymere protective net
Color	Black



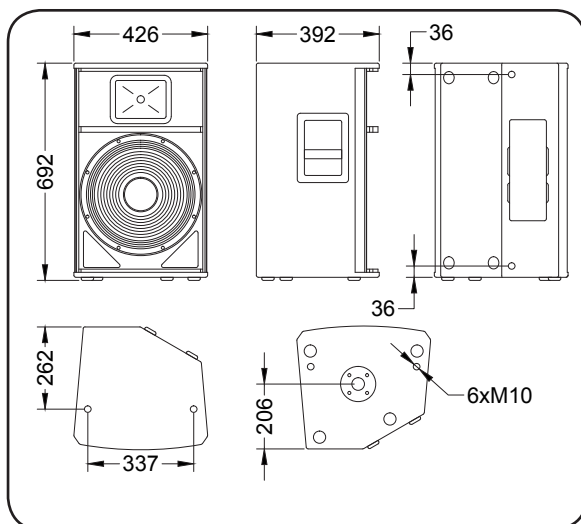
Z 150A

Full-range powered speaker



15" + 1" powered speaker with great sonic performance, the Z 150 is the choice for fixed installations and mobile speaker sets alike. The speaker provides for many usability options, including pole mounting, wall or ceiling mounting, and stage monitoring capability. Based on own produced components, Z 150 perfectly blends reliability with attractive pricing. Built-in class D amplifier with Bluetooth controls provides for ease of use even by inexperienced personnel.

Type	Full-range powered speaker
Acoustical & Electrical	
Frequency range (-10 dB)	50 - 18000 Hz
Max SPL (peak)	128 dB (calculated)
LF Transducer	15", M1516
HF Transducer	1,5", M075
Nominal coverage HxV	60° x 40°
Power	350 W
Amplifier	Class D, convection cooling
Input sensitivity	0 dBV
Connections & physical data	
Connectors	2x XLR
Dimensions (WxHxD)	426x692x392 mm
Net weight	28 kg
Shipping weight	31 kg
Mounting	6x M10 flying points Pole mount adapter
Enclosure materials	Plywood; MDF wear-resistant paint
Grill	Steel grill, polymere protective net
Color	Black



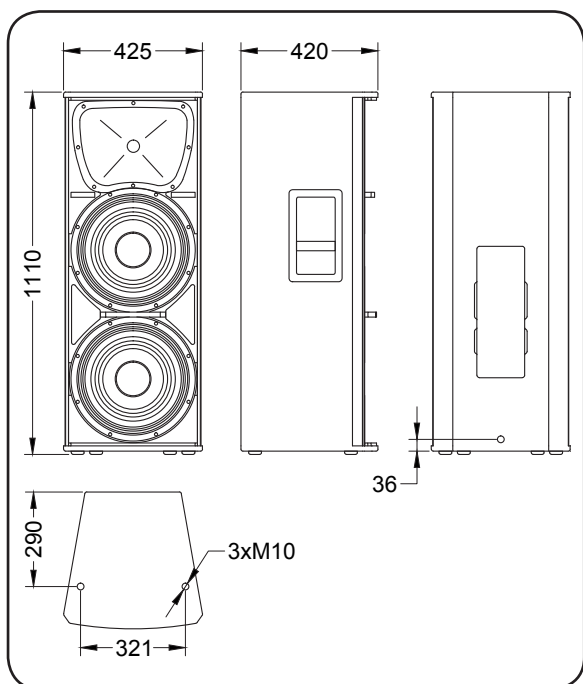
Z 155A

Full-range powered speaker



Z 155A is extended bass dual 15" powered speaker for more audio performance demanding cases. Providing convincing power handling capability, it is perfectly suitable for a small or medium sized club, restaurant or entertainment center. Based on own produced components, Z 155A provides great combination of price and productivity. Built-in class D amplifier with Bluetooth controls provides for ease of use even by inexperienced personnel.

Type	Full-range powered speaker
Acoustical & Electrical	
Frequency range (-10 dB)	50 - 18000 Hz
Max SPL (peak)	135,5 dB (calculated)
LF Transducer	2x15", M1524
HF Transducer	1,5", M115
Nominal coverage HxV	100° x 50°
Power	1000 W
Amplifier	Class D, convection cooling
Input sensivity	0 dBV
Connections & physical data	
Connectors	2x XLR
Dimensions (WxDxH)	425x110x420 mm
Net weight	43 kg
Shipping weight	46 kg
Mounting	12x M10 flying points
Enclosure materials	Plywood; MDF wear-resistant paint
Grill	Steel grill, polymere protective net
Color	Black



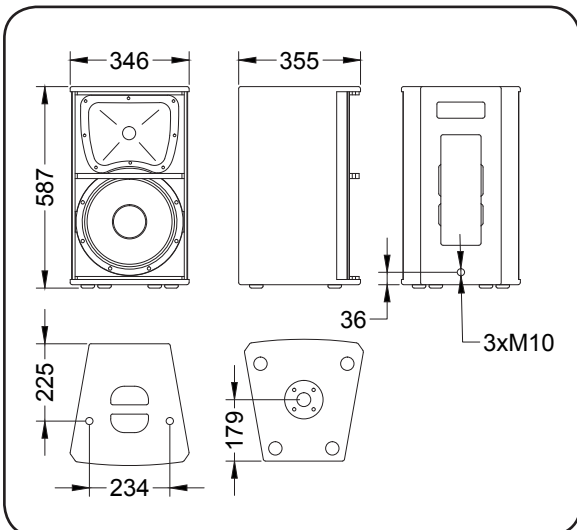
Z 220A

Full-range powered speaker



Adding even more variety into affordable Z series, Z 220A is 12" neo-dium woofer full-range powered speaker. With decreased weight and improved sound profile, it is great for mobile sound professionals looking for small yet perfectly sounding speaker. Includes numerous mounting options, including wall, ceiling mounting and pole mounting. Built-in class D amplifier with Bluetooth controls provides for ease of use even by inexperienced personnel.

Type	Full-range powered speaker
Acoustical & Electrical	
Frequency range (-10 dB)	55 - 18000 Hz
Max SPL (peak)	128 dB (calculated)
LF Transducer	12", 12N400
HF Transducer	1.5", M115
Nominal coverage HxV	100° x 50°
Power	600 W
Amplifier	Class D, convection cooling
Input sensitivity	0 dBV
Connections & physical data	
Connectors	2x XLR
Dimensions (WxHxD)	346x587x355 mm
Net weight	19,5 kg
Shipping weight	22,5 kg
Mounting	3x MID flying points Pole mount adapter
Enclosure materials	Plywood; wear-resistant paint
Grill	Steel grill, polymere protective net
Color	Black



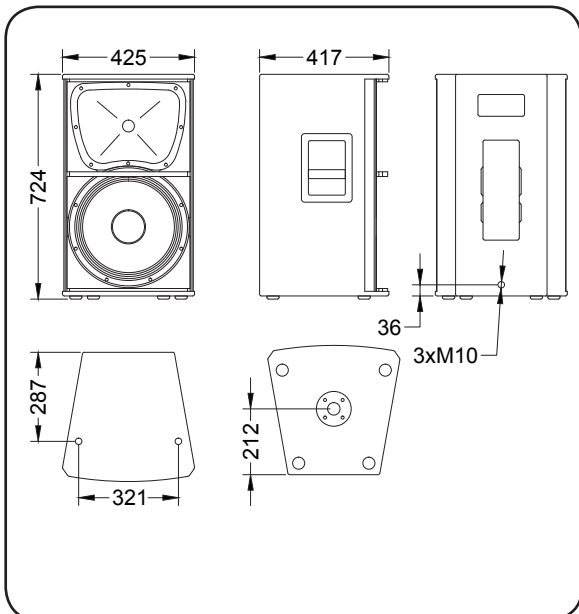
Z 250A

Full-range powered speaker



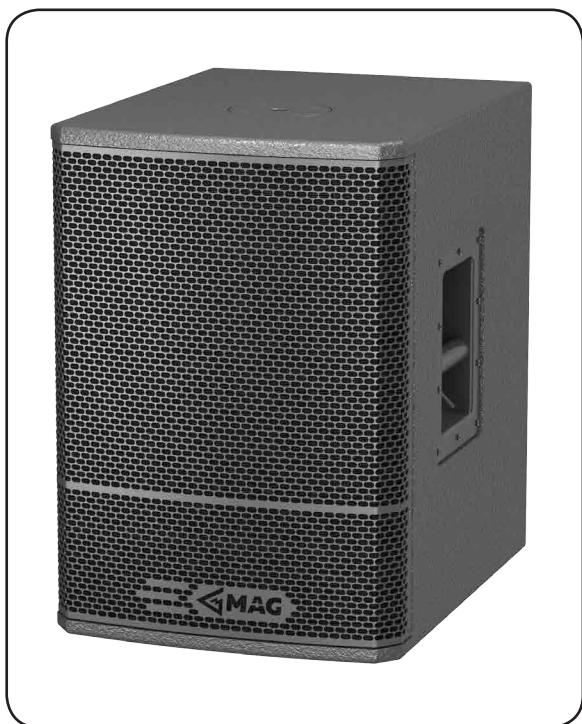
High performance 15" neodymium powered speaker with many installation capabilities, including pole mounting and wall and ceiling mounting via built in MID adapters. Z 250A is perfect speaker for mobile sound professionals with passion for great sound still considering budget constraints. Extremely reliable speaker involving own produced components. Built-in class D amplifier with Bluetooth controls provides for ease of use even by inexperienced personnel.

Type	Full-range powered speaker
Acoustical & Electrical	
Frequency range (-10 dB)	50 - 18000 Hz
Max SPL (peak)	130 dB (calculated)
LF Transducer	15", 15N400
HF Transducer	1.5", M115
Nominal coverage HxV	100° x 50°
Power	600 W
Amplifier	Class D, convection cooling
Input sensitivity	0 dBV
Connections & physical data	
Connectors	2x XLR
Dimensions (WxHxD)	425x724x417 mm
Net weight	25.5 kg
Shipping weight	28.5 kg
Mounting	3x MID flying points Pole mount adapter
Enclosure materials	Plywood; wear-resistant paint
Grill	Steel grill, polymere protective net
Color	Black



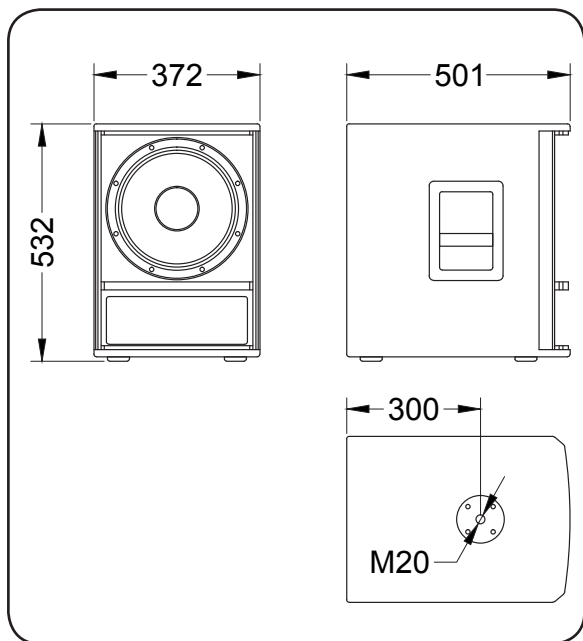
Z S12A

Powered subwoofer



Small, yet potent, the Z S12A is compact low frequency extension powered loudspeaker for reinforcing Z series' full-range cabinets. Based on own produced long excursion 12" woofer and effective vented box, Z S12 is perfect for mobile sound system or small-scaled installation due to small dimensions and light weight. Built-in class D amplifier with Bluetooth controls provides for ease of use even by inexperienced personnel.

Type	Powered subwoofer
Acoustical & Electrical	
Frequency range (-10 dB)	50 - 300 Hz
Max SPL (peak)	129 dB (calculated)
LF Transducer	12", M1240
Power	500 W
Amplifier	Class D, convection cooling
Input sensitivity	0 dBV
Connections & physical data	
Connectors	XLR in + XLR out
Dimensions (WxHxD)	372x532x501 mm
Net weight	31,5 kg
Shipping weight	34,5 kg
Enclosure materials	Plywood; MDF; wear-resistant paint
Grill	Steel grill, polymere protective net
Color	Black



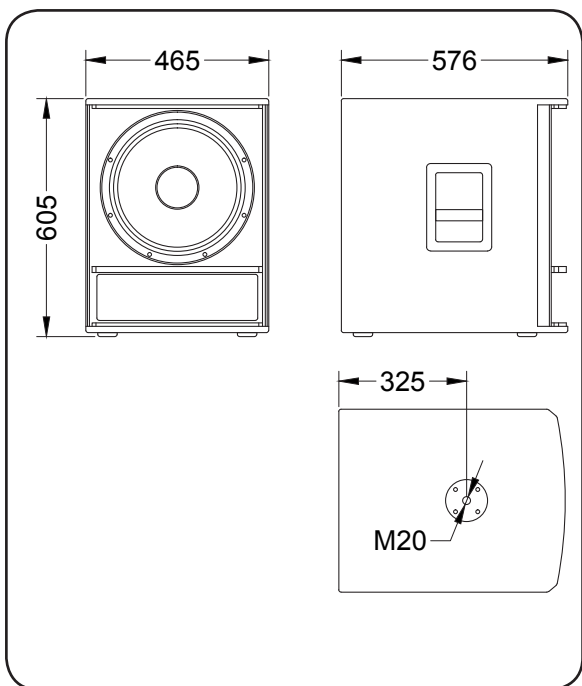
Z S15A

Powered subwoofer



Affordable low frequency extension powered loudspeaker, Z S15A is based on own produce reliable long excursion 15" woofer within effective vented box. Designed specifically to reinforce Z series' full-range cabinets, Z S15 in a great combination of performance and weight for mobile sound professionals to benefit from. Built-in class D amplifier with Bluetooth controls provides for ease of use even by inexperienced personnel.

Type	Powered subwoofer
Acoustical & Electrical	
Frequency range (-10 dB)	45 - 300 Hz
Max SPL (peak)	129,5 dB (calculated)
LF Transducer	15", M1540
Power	500 W
Amplifier	Class D, convection cooling
Input sensitivity	0 dBV
Connections & physical data	
Connectors	XLR in + XLR out
Dimensions (WxHxD)	465x605x576 mm
Net weight	39,5 kg
Shipping weight	42,5 kg
Enclosure materials	Plywood; MDF; wear-resistant paint
Grill	Steel grill, polymere protective net
Color	Black



Z S18A

Powered subwoofer



Z S18A, designed specifically to reinforce Z series' full-range cabinet, is high performance 18" low frequency extension powered loudspeaker. Own produced long excursion woofer in a effective vented cabinet, Z S18A is reliable solution for demanding mobile speaker set and fixed installation alike.

Type	Powered subwoofer
Acoustical & Electrical	
Frequency range (-10 dB)	40 - 300 Hz
Max SPL (peak)	129,5 dB (calculated)
LF Transducer	18", M1840
Power	500 W
Amplifier	Class D, convection cooling
Input sensitivity	0 dBV
Connections & physical data	
Connectors	XLR in + XLR out
Dimensions (WxHxD)	552x673x647 mm
Net weight	44,5 kg
Shipping weight	47,5 kg
Enclosure materials	Plywood; MDF; wear-resistant paint
Grill	Steel grill, polymere protective net
Color	Black

