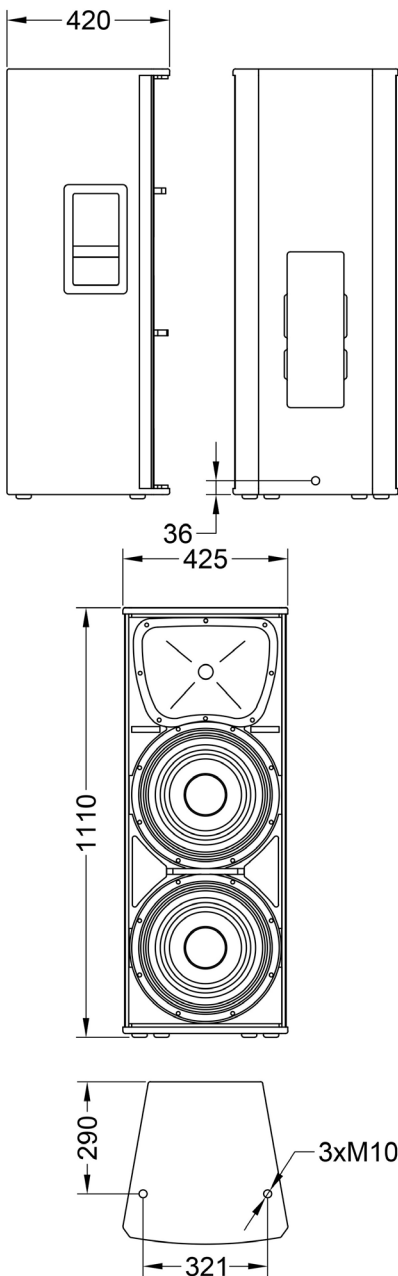




Z 155 A

FULL-RANGE POWERED SPEAKER



Main features:

- 1000W amplifier power
- 2x15" woofers with 2,5" voice coil
- 1" HF driver with 1,75" voice coil
- 135,5 dB Max SPL
- Rigid internally braced enclosure

Frequency Response (-10dB)	50 - 18000 Hz
Max SPL (peak)	135,5 dB (calculated)
LF Transducer	2x15", M1524
HF Transducer	1", M115
Nominal coverage HxV	100° x 50°
Power	1000 W
Amplifier	Class D, fan cooling
Input sensitivity	0 dBV
Connectors	2x XLR
Dimensions (WxHxD)	423x1110x420 mm
Net weight	43 kg
Shipping weight	46 kg
Mounting	12x M10 flying points
Enclosure materials	Plywood; MDF; wear-resistant paint
Grill	Steel grill, polymere protective net

Acoustical & Electrical data

Connections, physical data and exploitation