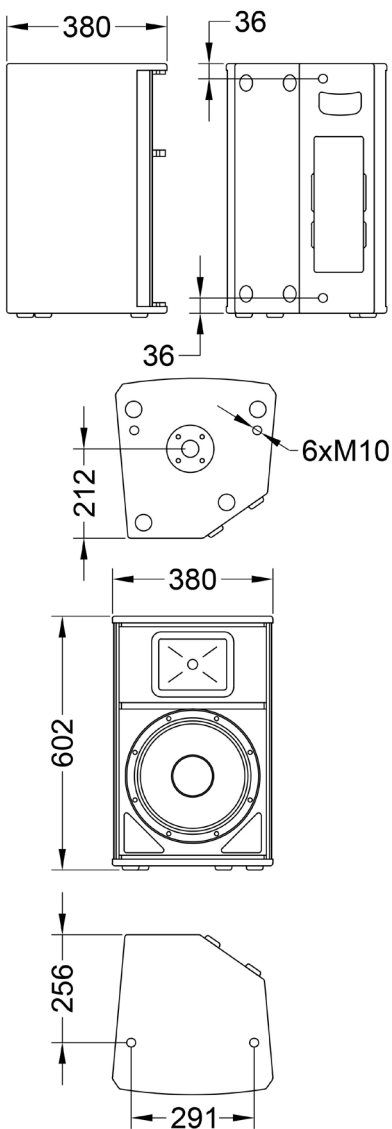




Z 120A

FULL-RANGE POWERED SPEAKER



Main features:

- 350W amplifier power
- 12" woofer with 2" voice coil
- 1" HF driver with 1,5" voice coil
- 126 dB Max SPL
- Stage monitoring ready enclosure

Frequency Response (-10dB)	60 – 18000 Hz
Max SPL (peak)	126 dB (calculated)
LF Transducer	12", M1215
HF Transducer	1", M075
Nominal coverage HxV	60° x 40°
Power	350 W
Amplifier	Class D, convection cooling
Input sensitivity	0 dBV
Connectors	2x XLR
Dimensions (WxHxD)	380x602x380 mm
Net weight	23,5 kg
Shipping weight	26,5 kg
Mounting	6x M10 flying points Pole mount adapter
Enclosure materials	Plywood; MDF; wear-resistant paint
Grill	Steel grill, polymere protective net

Acoustical & Electrical data

Connections, physical data
and exploitation