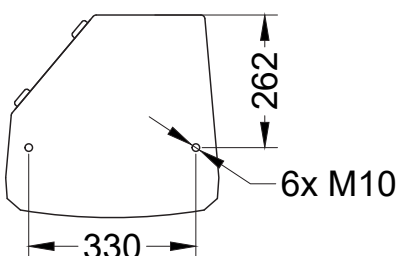
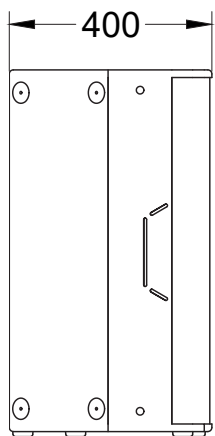
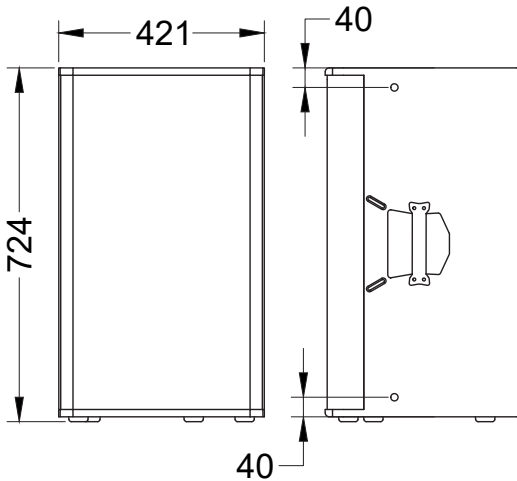


Z 350

FULL-RANGE PASSIVE SPEAKER

Z series was created to deliver the power and professional sound quality into various indoor and outdoor spaces while keeping budget considerations in check.

Z 350 is a compact passive 15"+1" speaker, designed for both FOH sound and stage monitoring purposes. Equipped with angle-adjustable pole mount adapter and M10 mounting points, Z 350 is a versatile solution for many sound reinforcement applications.



Main features:

- 350W nominal power
- 15" woofer with 2,5" voice coil
- 1" HF driver with 1,75" voice coil
- 132 dB Max SPL
- Adjustable pole mount adapter

Frequency Response (-10dB)	45 - 20000 Hz
Max SPL ¹	132 dB
Sensitivity (1W/1m)	98 dB
LF Driver	15", 2,5" VC
HF Driver	1", 1,75" VC
Nominal Coverage Angle (Horizontal x Vertical)	100 x 50 deg
Impedance	4 Ohm
Nominal power ²	350 W
Connectors	2x Neutrik Speakon
Dimensions (WxHxD), mm	421x724x400 mm
Net weight, kg	21,2 kg
Shipping weight, kg	23,7 kg
Mounting	10x M10 mounting points, 35mm adjustable pole socket
Enclosure material	Plywood; wear-resistant paint
Grill	Steel grill, polymer protective net

¹ - peak value, calculated according to AES 2 - 2012

² - based on transducer power measured according to AES 2 - 2012

With dedication to constant improvement of the products, manufacturer may change the listed specifications without prior notice