

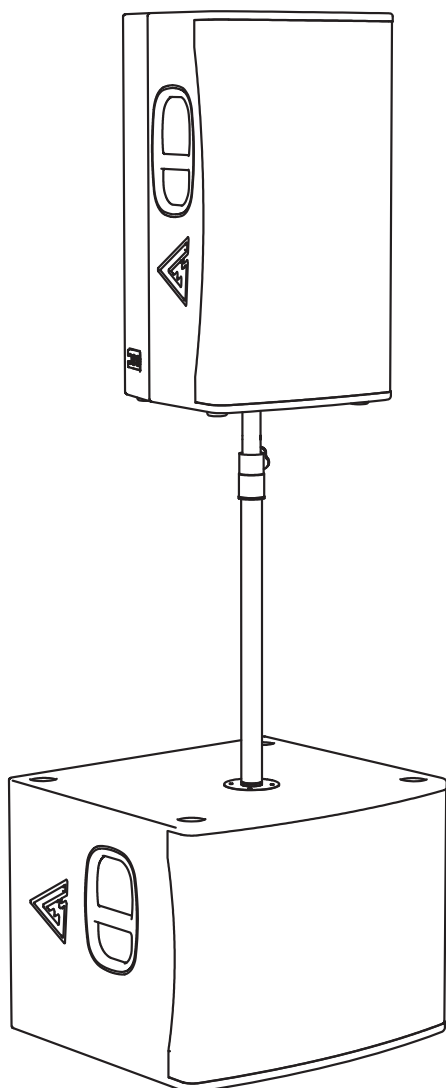
N-series

Specifications & rigging guide

CONTENTS

This contents & System application	2
N 10 specifications	3
N 12 specifications	4
N 15 specifications	5
N S15 specifications	6
N S18 specifications	7
N 10A specifications	8
N 12A specifications	9
M 15A specifications	10
N S15A specifications	11
N S18A specifications	12

SYSTEM APPLICATION



The new generation of MAG Audio speakers is all neodymium **N series**. The sleek look, high performance, lightweight, and powerful rigging capabilities, are all in one package.

Carefully designed and optimized neodymium transducers and high frequency drivers, designed specifically for **N series'** demanding standards, are made for reduced cabinet sizes and weight, while providing unprecedented sound performance, in a very light and compact enclosures.

Equipped with easy-to-rig flying adapters, 10", 12" and 15" full-range speakers cover all imaginable compact speakers' applications, from small scale FOH to backline, from installation to PA. Reinforced with low profile, performance optimized 15" and 18" subwoofers, the **N series** offers ultimate, modern and versatile sound reinforcement solution.

Powered versions, based on state-of-the-art high efficiency amplification modules, are made for even more control and tuning capabilities. With several independent equalization options, it is easy to set up **N series** rig for optimal sound in any environment. In addition, the networking adapters provide distant controlling and fine tune conveniences, and make it possible to create sophisticated sound reinforcement systems.

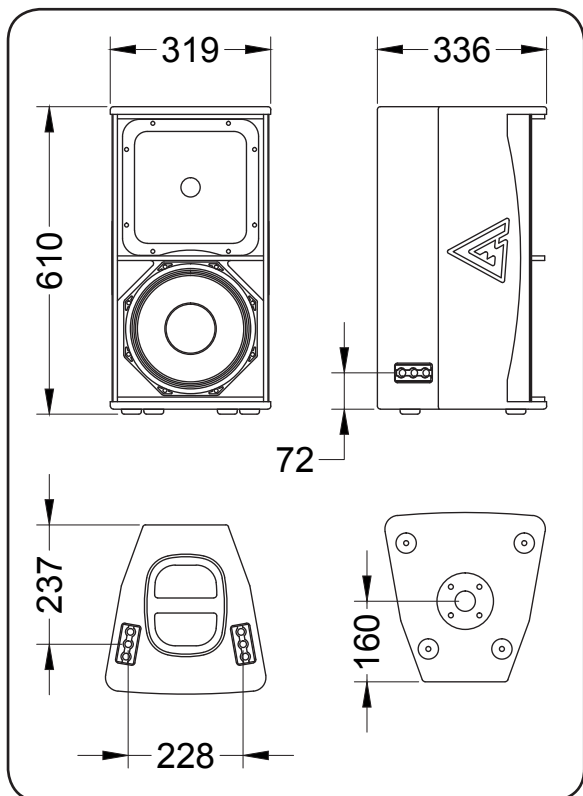
N 10

Full-range passive speaker

Small, transportation friendly, lightweight all neodymium speaker, the N 10 adds immense value to any rental, touring rider or complete sound reinforcement set. Based on low-distortion 10" neodymium woofer and 1,5" neodymium HF driver, N 10 offers considerable power, smooth sonic performance, and compact dimensions.



Type	Full-range passive speaker
Acoustical & Electrical	
Frequency range (-10 dB)	65 - 18000 Hz
Max SPL (peak)	131 dB (calculated)
Sensitivity (1W/1m)	97 dB
LF Transducer	10", 10N501
HF Transducer	1,5", N7150
Nominal coverage HxV	90° x 80°
Impedance	8 Ohm / 4 Ohm
Nominal power	600 W
Program power	1200 W
Peak power	2400 W
Connections & physical data	
Connectors	2x Neutrik Speakon
Dimensions (WxHxD)	319x610x336 mm
Net weight	19 kg
Shipping weight	22 kg
Mounting	4x FlyTrack flying points Pole mount adapter
Enclosure materials	Plywood; wear-resistant paint
Grill	Steel grill, polymere protective net
Color	Black



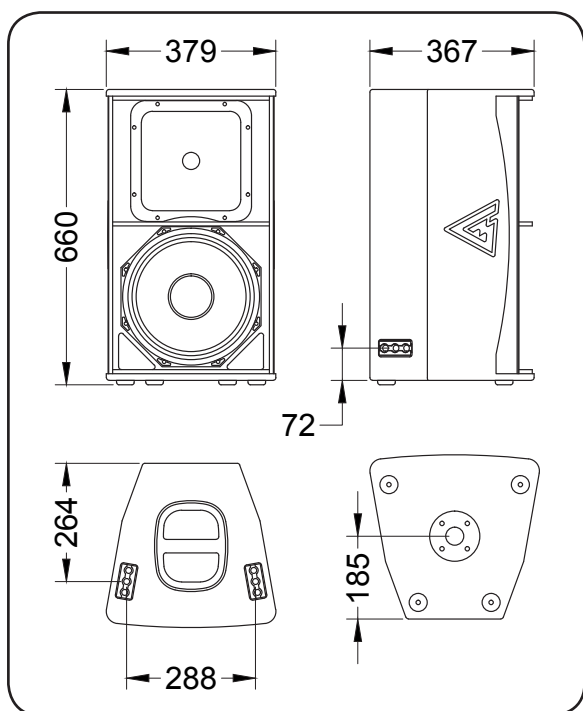
N 12

Full-range passive speaker



Extremely versatile, powerful and compact N 12 speaker features low distortion 12" neodymium woofer and 1.5" neodymium HF driver. Due to compact dimensions and considerable power output, N 12 is great speaker for rental, touring, or complete sound reinforcement solution. Equipped with Flytrack flying adapters, the N 12 is easily fit and dismantled virtually in no time.

Type	Full-range passive speaker
Acoustical & Electrical	
Frequency range (-10 dB)	60 - 18000 Hz
Max SPL (peak)	132 dB (calculated)
Sensitivity (1W/1m)	98 dB
LF Transducer	12", 12N501
HF Transducer	1.5", N7150
Nominal coverage HxV	90° x 80°
Impedance	8 Ohm / 4 Ohm
Nominal power	600 W
Program power	1200 W
Peak power	2400 W
Connections & physical data	
Connectors	2x Neutrik Speakon
Dimensions (WxHxD)	379x660x367 mm
Net weight	22 kg
Shipping weight	25 kg
Mounting	4x FlyTrack flying points Pole mount adapter
Enclosure materials	Plywood; wear-resistant paint
Grill	Steel grill, polymere protective net
Color	Black



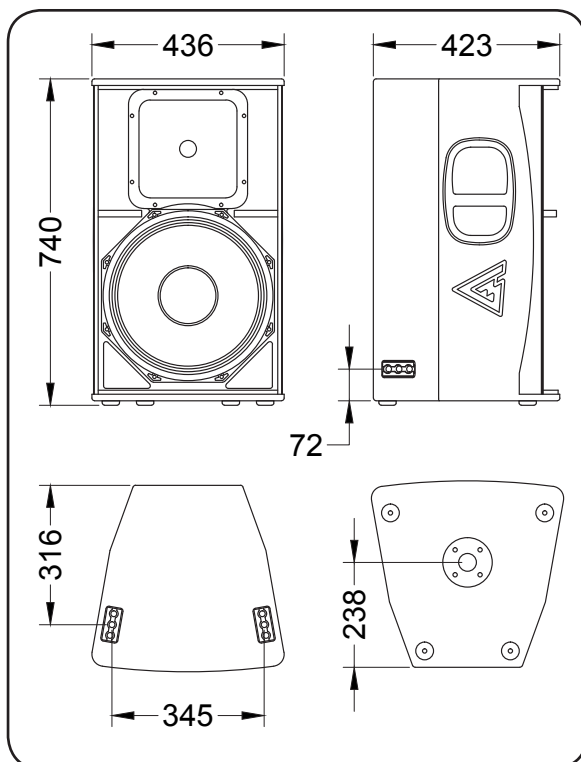
N 15

Full-range passive speaker



Powerful, lightweight, sonically superior and great looking – N 15 is the speaker of choice of innovative rental companies, tour sound providers and complete sound reinforcement solution designers. N 15 is based on low distortion high performance 15" neodymium woofer and 1,5" neodymium HF driver and equipped with Flytrack adapters for quick mount/dismount time.

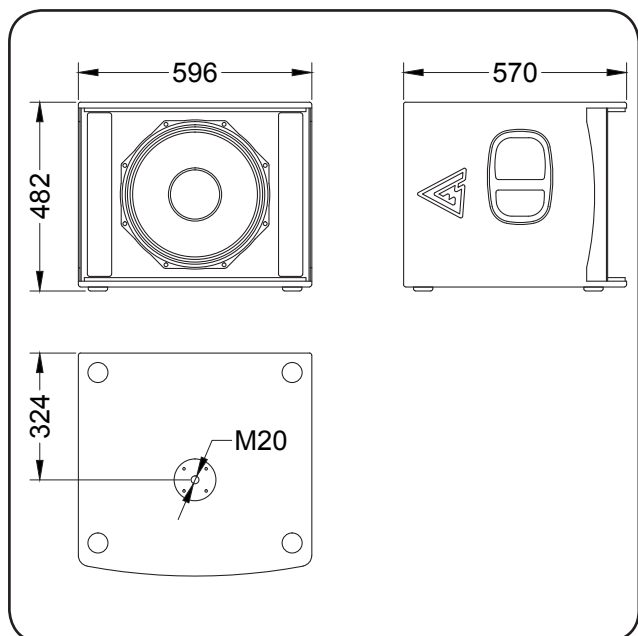
Type	Full-range passive speaker
Acoustical & Electrical	
Frequency range (-10 dB)	55 - 18000 Hz
Max SPL (peak)	132,5 dB (calculated)
Sensitivity (1W/1m)	98,5 dB
LF Transducer	15", 15N501
HF Transducer	1,5", N 7150
Nominal coverage HxV	90° x 80°
Impedance	8 Ohm / 4 Ohm
Nominal power	600 W
Program power	1200 W
Peak power	2400 W
Connections & physical data	
Connectors	2x Neutrik Speakon
Dimensions (WxHxD)	436x740x423 mm
Net weight	26 kg
Shipping weight	29 kg
Mounting	4x FlyTrack flying points Pole mount adapter
Enclosure materials	Plywood; wear-resistant paint
Grill	Steel grill, polymere protective net
Color	Black



N S15

Passive subwoofer

N S15 is a low profile 15" subwoofer specifically designed to re-inforce N series' full-range speakers, based on long-excursion neodymium woofer. Low weight, significant sound pressure output, and compact enclosure dimensions suggest N S15 speaker for mobile professionals looking for great performing yet transportation friendly sound reinforcement solution.



Type	Passive subwoofer
Acoustical & Electrical	
Frequency range (-10 dB)	40 - 300 Hz
Max SPL (peak)	134 dB (calculated)
Sensitivity (1W/1m)	97 dB
LF Transducer	15", 15N1200
Impedance	8 Ohm / 4 Ohm
Nominal power	1200 W
Program power	2400 W
Peak power	4800 W
Connections & physical data	
Connectors	2x Neutrik Speakon
Dimensions (WxHxD)	596x482x570 mm
Net weight	32 kg
Shipping weight	35 kg
Enclosure materials	Plywood; wear-resistant paint
Mounting	M20 distance pole adapter
Color	Black

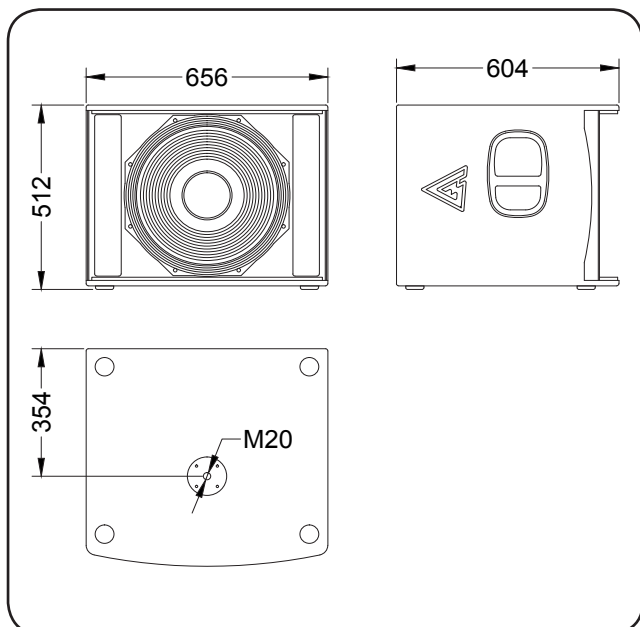
N S18

Passive subwoofer



High-output neodymium subwoofer for reinforcing N series' full-range speakers. N S18 is advised for mobile speaker sets and fixed installations alike due to high performance, low weight and compact dimensions. N S18 utilizes specifically designed 18" neodymium long-excursion woofer for extended low-frequency operation and superior reliability.

Type	Passive subwoofer
Acoustical & Electrical	
Frequency range (-10 dB)	35 - 250 Hz
Max SPL (peak)	133 dB (calculated)
Sensitivity (1W/1m)	96 dB
LF Transducer	18", 18N1200
Impedance	8 Ohm / 4 Ohm
Nominal power	1200 W
Program power	2400 W
Peak power	4800 W
Connections & physical data	
Connectors	2x Neutrik Speakon
Dimensions (WxHxD)	656x512x604mm
Net weight	40 kg
Shipping weight	43 kg
Enclosure materials	Plywood; wear-resistant paint
Mounting	M20 distance pole adapter
Color	Black



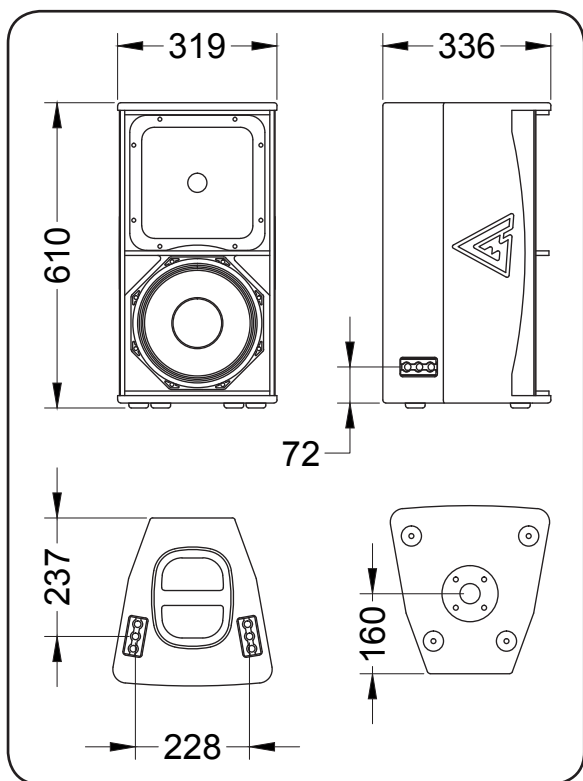
N 10A

Full-range powered speaker



Small, transportation friendly, lightweight all neodymium powered speaker, the N 10A adds immense value to any rental, touring rider or fixed sound reinforcement set. Based on low-distortion 10" neodymium woofer and 1.5" neodymium HF driver, N 10A offers considerable power, smooth sonic performance, and compact dimensions. Innovative Power-soft built-in amplifier offers superior energy efficient operation and perfect control over sound properties.

Type	Full-range powered speaker
Acoustical & Electrical	
Frequency range (-10 dB)	65 - 18000 Hz
Max SPL (peak)	130,5 dB (calculated)
LF Transducer	10", 10N501
HF Transducer	1,5", N7150
Nominal coverage HxV	90° x 80°
Power	1200 W
Amplifier	Class D, convection cooling
Input sensitivity	0 dBV
Connections & physical data	
Connectors	2x XLR
Dimensions (WxHxD)	319x610x336 mm
Net weight	22 kg
Shipping weight	25 kg
Mounting	4x FlyTrack flying points Pole mount adapter
Enclosure materials	Plywood; wear-resistant paint
Grill	Steel grill, polymere protective net
Color	Black



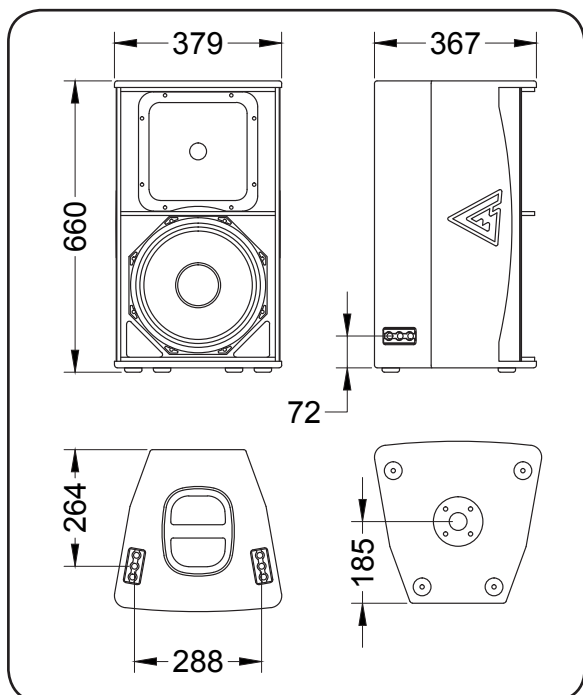
N 12A

Full-range powered speaker



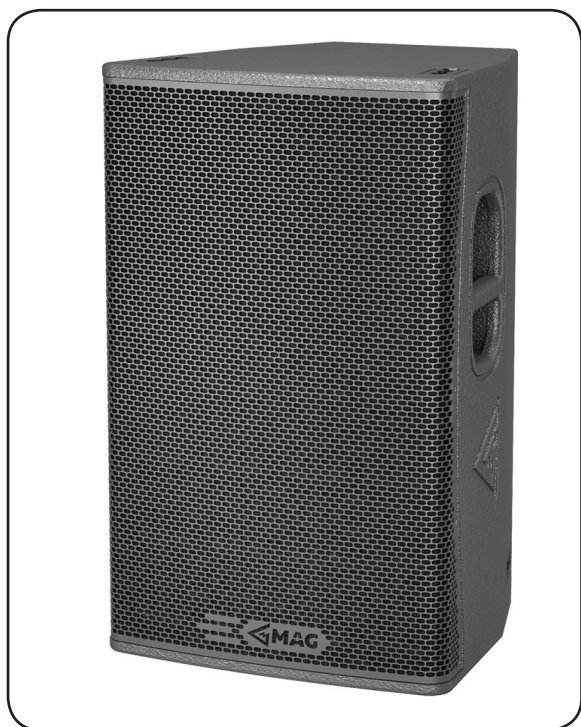
Extremely versatile, powerful and compact N 12 powered speaker features low distortion 12" neodymium woofer and 1,5" neodymium HF driver. Due to compact dimensions and considerable power output, N 12 is great speaker for rental, touring, or complete sound reinforcement solution. Equipped with Flytrack adapters, the N 12 is easily fit and dismantled virtually in no time. Innovative Powersoft built-in amplifier offers superior energy efficient operation and perfect control over sound properties.

Type	Full-range powered speaker
Acoustical & Electrical	
Frequency range (-10 dB)	60 - 18000 Hz
Max SPL (peak)	131,5 dB (calculated)
LF Transducer	12", 12N501
HF Transducer	1,5", N7150
Nominal coverage HxV	90° x 80°
Power	1200 W
Amplifier	Class D, convection cooling
Input sensitivity	0 dBV
Connections & physical data	
Connectors	2x XLR
Dimensions (WxHxD)	379x660x367 mm
Net weight	25 kg
Shipping weight	28 kg
Mounting	4x FlyTrack flying points Pole mount adapter
Enclosure materials	Plywood; wear-resistant paint
Grill	Steel grill, polymere protective net
Color	Black



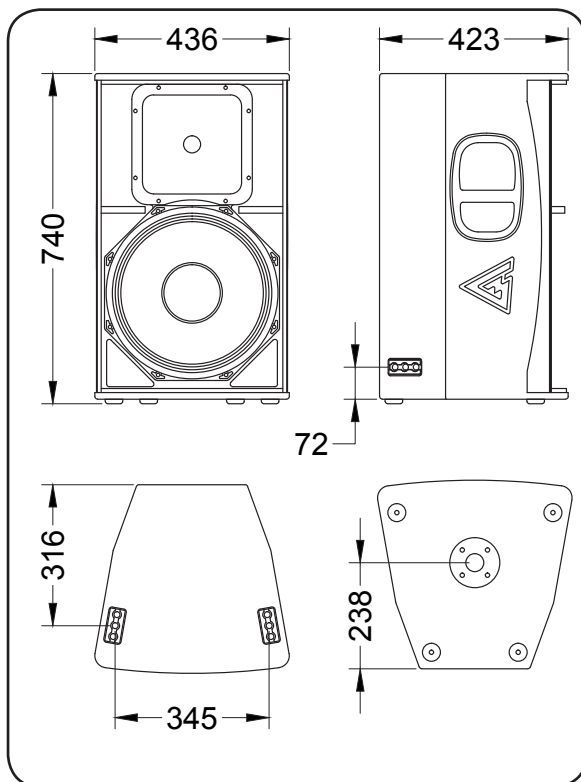
N 15A

Full-range powered speaker



Powerful, lightweight, sonically superior and great looking – N 15 is the speaker of choice of innovative rental companies, tour sound providers and complete sound reinforcement solution designers. N 15 is based on low distortion high performance 15" neodymium woofer and 1.5" neodymium HF driver and equipped with Flytrack adapters for quick mount/dismount time. Innovative Powersoft built-in amplifier offers superior energy efficient operation and perfect control over sound properties.

Type	Full-range powered speaker
Acoustical & Electrical	
Frequency range (-10 dB)	55 - 18000 Hz
Max SPL (peak)	131,5 dB (calculated)
LF Transducer	15", 15N501
HF Transducer	1,5", N7150
Nominal coverage HxV	90° x 80°
Power	1200 W
Amplifier	Class D, convection cooling
Input sensitivity	0 dBV
Connections & physical data	
Connectors	2x XLR
Dimensions (WxHxD)	436x740x423 mm
Net weight	29 kg
Shipping weight	32 kg
Mounting	4x FlyTrack flying points Pole mount adapter
Enclosure materials	Plywood; wear-resistant paint
Grill	Steel grill, polymere protective net
Color	Black



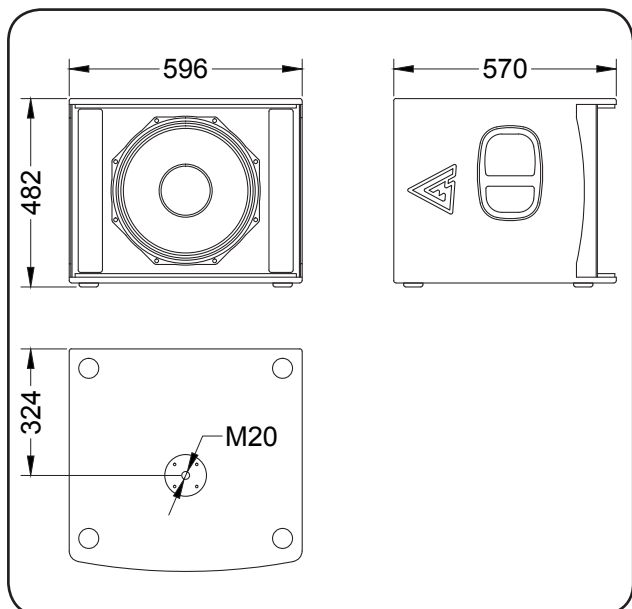
N S15A

Powered subwoofer



N S15A is a low profile 15" powered subwoofer specifically designed to reinforce N series' full-range speakers, based on long-excursion neodymium woofers. Low weight, significant sound pressure output, and compact enclosure dimensions suggest N S15A speaker for mobile professionals looking for great performing yet transportation friendly sound reinforcement solution. Innovative Powersoft built-in amplifier offers superior energy efficient operation and perfect control over sound properties.

Type	Powered subwoofer
Acoustical & Electrical	
Frequency range (-10 dB)	40 – 300 Hz
Max SPL (peak)	134 dB (calculated)
LF Transducer	15", 15N1200
Power	1400 W
Amplifier	Class D, fan cooling
Input sensitivity	0 dBV
Connections & physical data	
Connectors	XLR in + XLR out
Dimensions (WxHxD)	596x482x570 mm
Net weight	35 kg
Shipping weight	38 kg
Mounting	M20 distance pole adapter
Enclosure materials	Plywood; wear-resistant paint
Grill	Steel grill, acoustically transparent foam
Color	Black



N S18A

Powered subwoofer



High-output neodymium powered subwoofer for reinforcing N series' full-range speakers. N S18 is advised for mobile speaker sets and fixed installations alike due to high performance, low weight and compact dimensions. N S18 utilizes specifically designed 18" neodymium long-excursion woofer for extended low-frequency operation and superior reliability.

Type	Powered subwoofer
Acoustical & Electrical	
Frequency range (-10 dB)	35 - 250 Hz
Max SPL (peak)	133 dB (calculated)
LF Transducer	18", 18N1200
Power	1400 W
Amplifier	Class D, fan cooling
Input sensitivity	0 dBV
Connections & physical data	
Connectors	XLR in + XLR out
Dimensions (WxHxD)	656x482x604 mm
Net weight	43 kg
Shipping weight	46 kg
Mounting	M20 distance pole adapter
Enclosure materials	Plywood; wear-resistant paint
Grill	Steel grill, acoustically transparent foam
Color	Black

