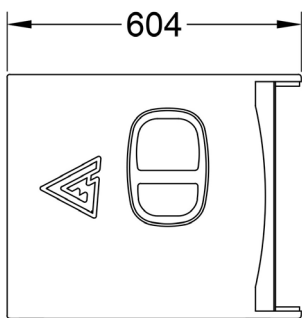
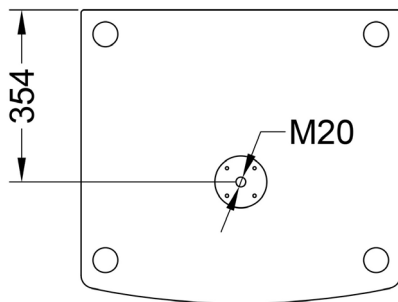
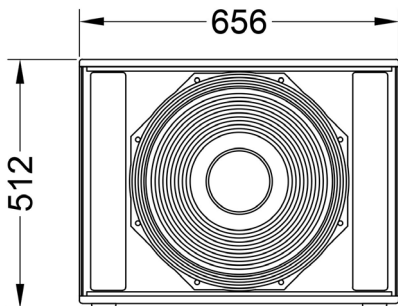




N S18A

POWERED SUBWOOFER



Main features:

- 1400W amplifier power
- 18" woofer with 4" voice coil
- 133 dB Max SPL
- Effective vented box design
- M20 distance pole adapter

Frequency Response (-10dB)	35 - 250 Hz
Max SPL (peak)	133 dB (calculated)
LF Transducer	18", 18N1200
Power	1400 W
Amplifier	Class D, Fan cooling
Input sensitivity	0 dBV

Connectors	2x XLR
Dimensions (WxHxD)	656x482x604 mm
Net weight	43 kg
Shipping weight	46 kg
Mounting	M20 distance pole adapter
Enclosure materials	Plywood; wear-resistant paint
Grill	Steel grill, acoustically transparent foam

Acoustical & Electrical data

Connections, physical data and exploitation