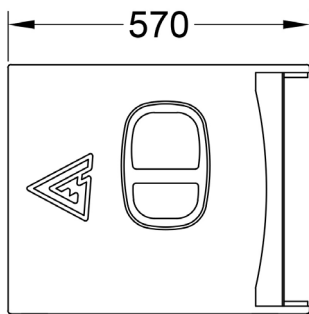
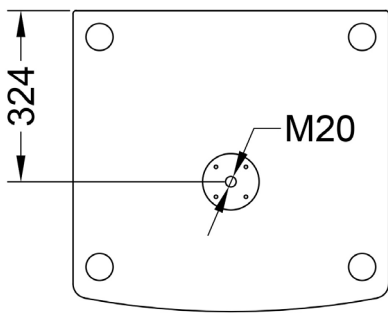
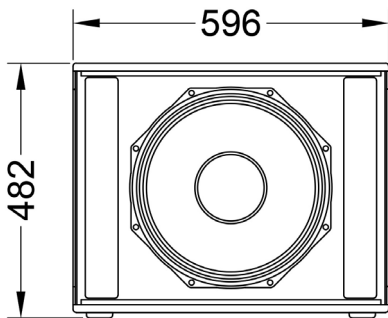




N S15A

POWERED SUBWOOFER



Main features:

- 1400W amplifier power
- 15" woofer with 4" voice coil
- 134 dB Max SPL
- Effective vented box design
- M20 distance pole adapter

| | |
|----------------------------|----------------------|
| Frequency Response (-10dB) | 40 - 300 Hz |
| Max SPL (peak) | 134 dB (calculated) |
| LF Transducer | 15", 15N1200 |
| Power | 1400 W |
| Amplifier | Class D, Fan cooling |
| Input sensitivity | 0 dBV |

| | |
|---------------------|--|
| Connectors | 2x XLR |
| Dimensions (WxHxD) | 596x482x570 mm |
| Net weight | 35 kg |
| Shipping weight | 38 kg |
| Mounting | M20 distance pole adapter |
| Enclosure materials | Plywood; wear-resistant paint |
| Grill | Steel grill, acoustically transparent foam |

Acoustical & Electrical data

Connections, physical data and exploitation