

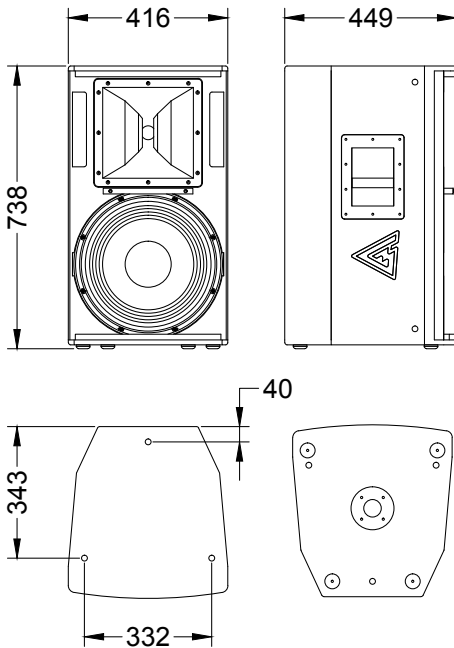
MD series

Specifications & rigging guide

CONTENTS

| | |
|--|----|
| This contents & System application | 2 |
| MD 402 specifications | 3 |
| MD 405 specifications | 4 |
| MD 422 specifications | 5 |
| MD 425 specifications | 6 |
| MD 802B specifications | 7 |
| MD 902B specifications | 8 |
| MD 828B specifications | 9 |
| MD 402A specifications | 10 |
| MD 405A specifications | 11 |
| MD 422A specifications | 12 |
| MD 425A specifications | 13 |
| MD 802BA specifications | 14 |
| MD 902BA specifications | 15 |
| Accessories | 16 |
| Powered subwoofer cardioid array setup guide | 17 |

SYSTEM APPLICATION



Classic series of MD acoustic systems, which combines high power, compact dimensions, pleasant look and inescapably high sound quality, have become a visiting card of MAG products.

Utilizing trustworthy time proven loudspeaker and HF drivers models, modern carefully designed crossover networks, compact, optimized cabinets with numerous installation options, MD series offers superior quality, modern exterior design and convenient workflow for wide spectrum of fixed and mobile sound reinforcement tasks.

MD series is perfectly suitable for any purpose where high power, reliability and excellent sound quality are required: concert halls, culture centers, night clubs, outdoor areas, restaurants and live sound clubs.

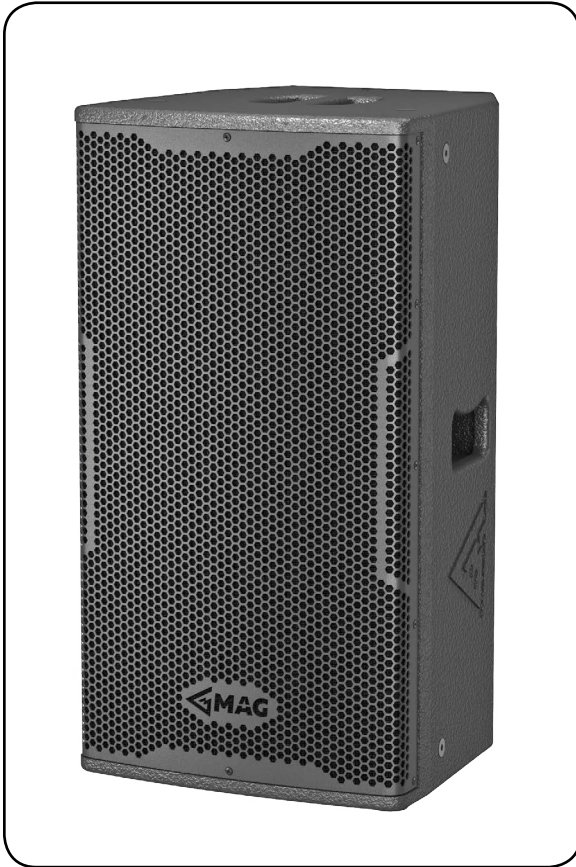
MD series systems are equipped with advanced flying point system, pole mount adapters and passive/bi-amp crossover switch. Subwoofers come with M20 distance pole adapters.



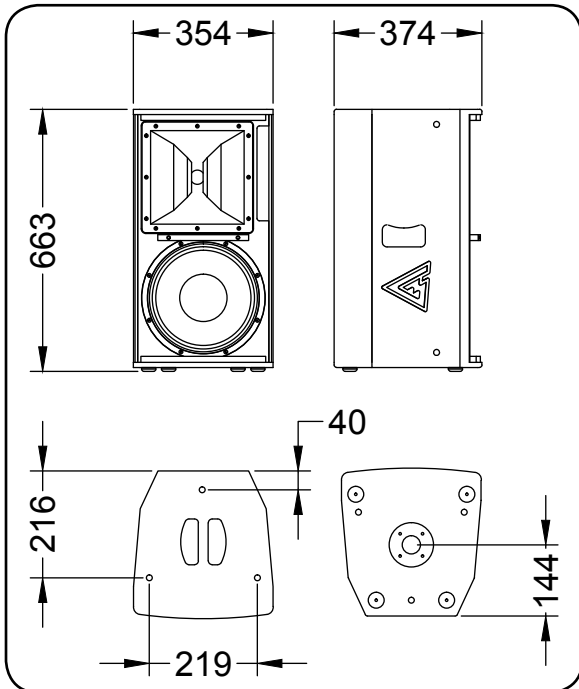
MD 402

Full-range passive speaker

Compact and powerful, MD 402 is a perfect system for small size installed or portable sound reinforcement. Based on 12" woofer and horn mounted 1,5" HF driver, MD 402 is fitted with comprehensive set of M10 mounting points, making fixed installations faster and easier. Optionally equipped with bi-amp/passive crossover mode switch.



| Type | Full-range passive speaker |
|-----------------------------|---|
| Acoustical & Electrical | |
| Frequency response (-10dB) | 65 - 18000 Hz |
| Max SPL (peak) | 130,5 dB (calculated) |
| Sensitivity (1W/1m) | 97,5 dB |
| LF Transducer | 12", M1240 |
| HF Transducer | 1,5", M150 |
| Nominal coverage HxV | 60° x 40° |
| Impedance | 8 Ohm / 4 Ohm |
| Nominal power (1) | 500 W |
| Program power | 1000 W |
| Peak power | 2000 W |
| Connections & physical data | |
| Connectors | 2x Neutrik Speakon |
| Dimensions (WxHxD) | 354x663x374 mm |
| Net weight | 27 kg |
| Shipping weight | 29 kg |
| Mounting | Pole mount adapter, 12x M10 flying points |
| Enclosure materials | Plywood; wear-resistant paint |
| Grill | Steel grill, polymere protective net |
| Color | Black |



(1) – Based on 2 hours power test, IEC filtered pink noise, 6 dB crest factor



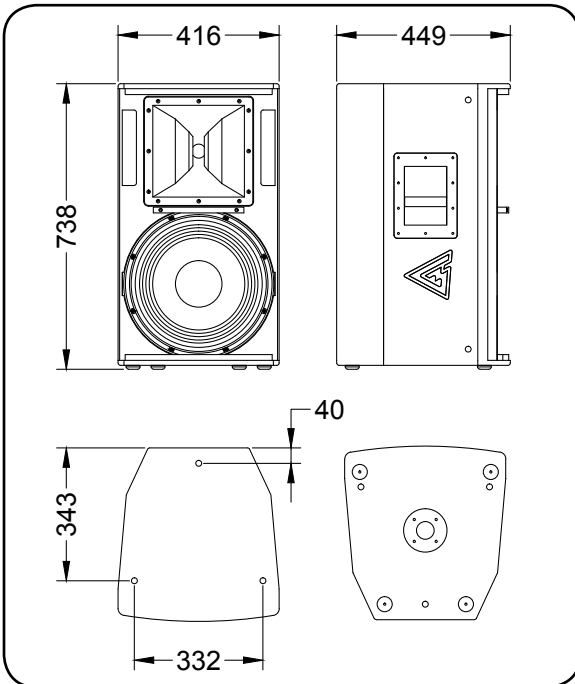
MD 405

Full-range passive speaker



Primary choice for many fixed installations and portable speaker sets alike, the MD 405 is versatile, easy to setup and maintain. Based on 15" woofer and horn mounted 1,5" HF driver, MD 405 is fitted with comprehensive set of M10 mounting points, making fixed installations faster and easier. Optionally equipped with bi-amp/passive crossover mode switch.

| Type | Full-range passive speaker |
|-----------------------------|---|
| Acoustical & Electrical | |
| Frequency response (-10dB) | 55 - 18000 Hz |
| Max SPL (peak) | 131,5 dB (calculated) |
| Sensitivity (1W/1m) | 98,5 dB |
| LF Transducer | 15", M1540 |
| HF Transducer | 1,5", M150 |
| Nominal coverage HxV | 60° x 40° |
| Impedance | 8 Ohm / 4 Ohm |
| Nominal power (1) | 500 W |
| Program power | 1000 W |
| Peak power | 2000 W |
| Connections & physical data | |
| Connectors | 2x Neutrik Speakon |
| Dimensions (WxHxD) | 416x738x449 mm |
| Net weight | 33 kg |
| Shipping weight | 35 kg |
| Mounting | Pole mount adapter, 12x M10 flying points |
| Enclosure materials | Plywood; wear-resistant paint |
| Grill | Steel grill, polymere protective net |
| Color | Black |

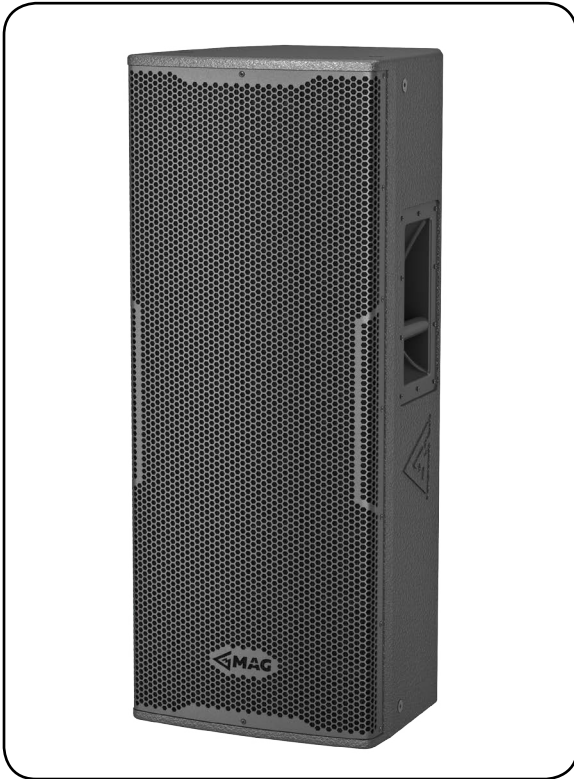


(1) – Based on 2 hours power test, IEC filtered pink noise, 6 dB crest factor



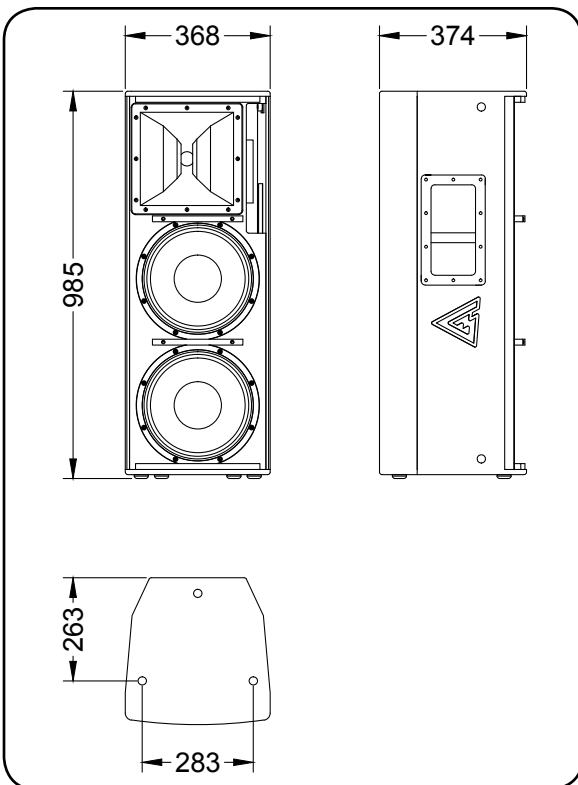
MD 422

Full-range passive speaker



Convenient due to its small profile, but still powerful and potent, MD 422 will fit perfectly into small club, concert hall, restaurant or entertainment centers. Based on two 12" woofers and horn mounted 1,5" HF driver, MD 422 is fitted with comprehensive set of M10 mounting points, making fixed installations faster and easier. Optionally equipped with bi-amp/passive crossover mode switch.

| Type | Full-range passive speaker |
|-----------------------------|--------------------------------------|
| Acoustical & Electrical | |
| Frequency response (-10dB) | 75 - 18000 Hz |
| Max SPL (peak) | 136 dB (calculated) |
| Sensitivity (1W/1m) | 100,5 dB |
| LF Transducer | 2x12", M1240 |
| HF Transducer | 1,5", M150 |
| Nominal coverage HxV | 60° x 40° |
| Impedance | 4 Ohm |
| Nominal power (1) | 900 W |
| Program power | 1800 W |
| Peak power | 3600 W |
| Connections & physical data | |
| Connectors | 2x Neutrik Speakon |
| Dimensions (WxHxD) | 368x985x374 mm |
| Net weight | 37 kg |
| Shipping weight | 39 kg |
| Mounting | 12x M10 flying points |
| Enclosure materials | Plywood; wear-resistant paint |
| Grill | Steel grill, polymere protective net |
| Color | Black |



(1) – Based on 2 hours power test, IEC filtered pink noise, 6 dB crest factor



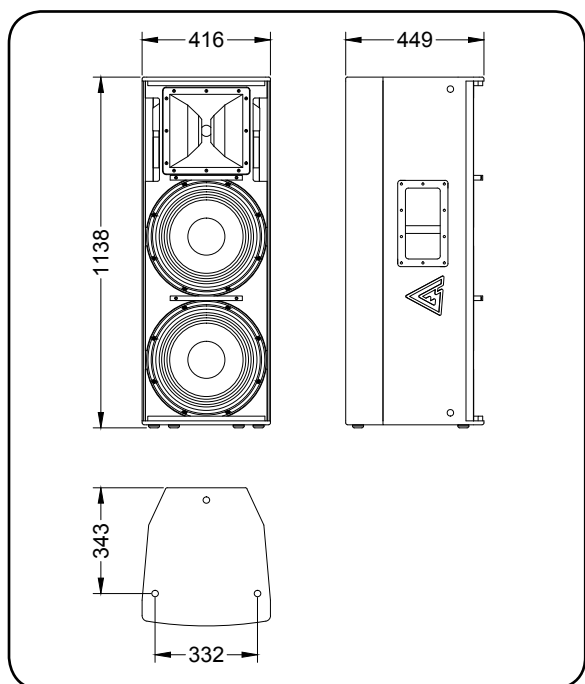
MD 425

Full-range passive speaker



Due to its extended low-frequency friendly design and substantial power handling capacity, the MD 425 is the equipment of choice for many small and medium clubs, concert halls, restaurants and entertainment centers. Housing two 15" woofers and horn-mounted 1,5" driver and comprehensive set of M10 mounting points for fixed installations, MD 425 is optionally equipped with bi-amp/passive crossover mode switch.

| | |
|-----------------------------|--------------------------------------|
| Type | Full-range passive speaker |
| Acoustical & Electrical | |
| Frequency response (-10dB) | 50 - 18000 Hz |
| Max SPL (peak) | 136,5 dB (calculated) |
| Sensitivity (1W/1m) | 101 dB |
| LF Transducer | 2x15", M1540 |
| HF Transducer | 1,5", M150 |
| Nominal coverage HxV | 60° x 40° |
| Impedance | 4 Ohm |
| Nominal power (1) | 900 W |
| Program power | 1800 W |
| Peak power | 3600 W |
| Connections & physical data | |
| Connectors | 2x Neutrik Speakon |
| Dimensions (WxHxD) | 416x1138x449 mm |
| Net weight | 50 kg |
| Shipping weight | 52 kg |
| Mounting | 12x M10 flying points |
| Enclosure materials | Plywood; wear-resistant paint |
| Grill | Steel grill, polymere protective net |
| Color | Black |



(1) – Based on 2 hours power test, IEC filtered pink noise, 6 dB crest factor



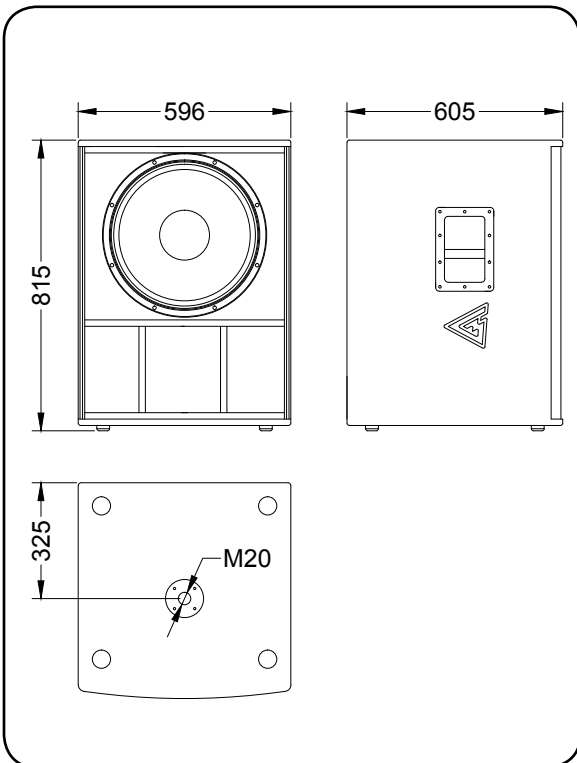
MD 802B

Powered subwoofer



MD 802B is the classic vented low end reinforcement speaker, designed specifically to support demanding MD series full-range speakers. Based on long-excursion 18" woofer, MD 802B's enclosure is capable of delivering undistorted sound frequencies as low as 35 Hz. Available in 8 Ohm and 4 Ohm versions for lower amplification costs and ease of setup.

| Type | Powered subwoofer |
|-----------------------------|--------------------------------------|
| Acoustical & Electrical | |
| Frequency response (-10dB) | 35 – 200 Hz |
| Max SPL (peak) | 133 dB (calculated) |
| Sensitivity (1W/1m) | 97 dB |
| LF Transducer | 18", M1804 |
| Impedance | 8 Ohm / 4 Ohm |
| Nominal power (1) | 1000 W |
| Program power | 2000 W |
| Peak power | 4000 W |
| Connections & physical data | |
| Connectors | 2x Neutrik Speakon |
| Dimensions (WxHxD) | 596x815x605 mm |
| Net weight | 52 kg |
| Shipping weight | 54 kg |
| Mounting | M20 distance pole adapter |
| Transportation | 4x 80mm removable castor wheels |
| Enclosure materials | Plywood; wear-resistant paint |
| Grill | Steel grill, polymere protective net |
| Color | Black |



(1) – Based on 2 hours power test, IEC filtered pink noise, 6 dB crest factor



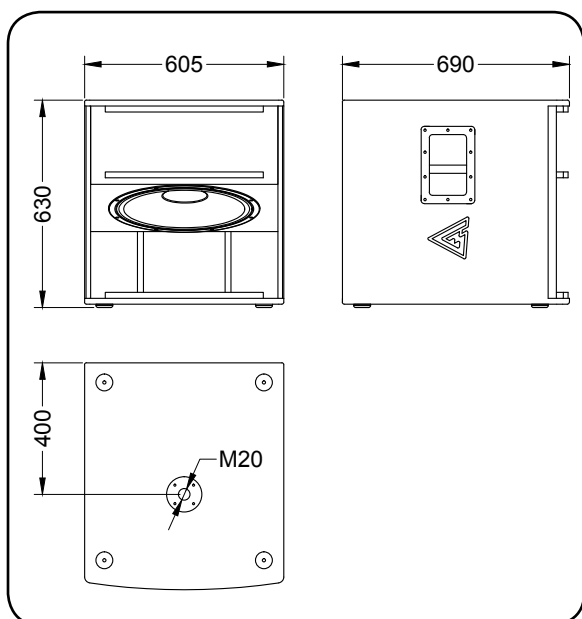
MD 902B

Powered subwoofer



Compact cabinet dimensions, combined with efficient hybrid horn design and high power capacity – MD902B is great low end support for MD series' full-range speakers, be that fixed installation or mobile sound set. Moreover, cabinets are capable of stacking of even more effectiveness and lower operating threshold.

| Type | Powered subwoofer |
|-----------------------------|--------------------------------------|
| Acoustical & Electrical | |
| Frequency response (-10dB) | 40 – 200 Hz |
| Max SPL (peak) | 137,5 dB (calculated) |
| Sensitivity (1W/1m) | 101,5 dB |
| LF Transducer | 18", M1801 |
| Impedance | 8 Ohm / 4 Ohm |
| Nominal power (1) | 1000 W |
| Program power | 2000 W |
| Peak power | 4000 W |
| Connections & physical data | |
| Connectors | 2x Neutrik Speakon |
| Dimensions (WxHxD) | 605x630x690 mm |
| Net weight | 52 kg |
| Shipping weight | 55 kg |
| Mounting | M20 distance pole adapter |
| Transportation | 4x 80mm removable castor wheels |
| Enclosure materials | Plywood; wear-resistant paint |
| Grill | Steel grill, polymere protective net |
| Color | Black |



(1) – Based on 2 hours power test, IEC filtered pink noise, 6 dB crest factor



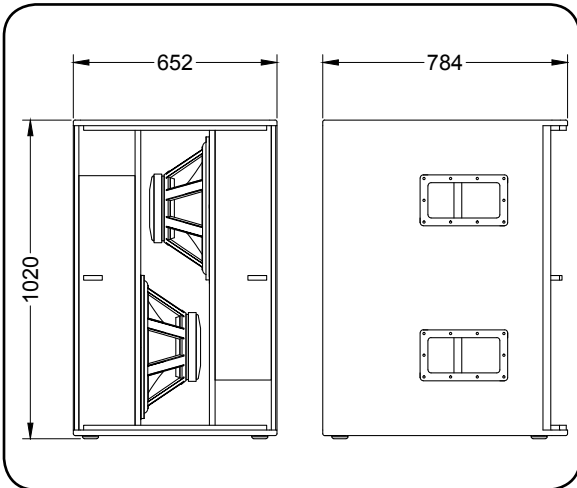
MD 828B

Passive subwoofer



High-power, extremely effective dual 18" subwoofer, MD 828B is designed for large-scale fixed sound reinforcement sets involving MD series' full-range cabinets. Involving hybrid band-pass design, MD 828B is capable of delivering low end musical frequencies along with convincing kick and punch.

| Type | Powered subwoofer |
|-----------------------------|--------------------------------------|
| Acoustical & Electrical | |
| Frequency response (-10dB) | 35 – 300 Hz |
| Max SPL (peak) | 138,5 dB (calculated) |
| Sensitivity (1W/1m) | 101 dB |
| LF Transducer | 2x18", M1861 |
| Impedance | 4 Ohm |
| Nominal power (1) | 1400 W |
| Program power | 2800 W |
| Peak power | 5600 W |
| Connections & physical data | |
| Connectors | 2x Neutrik Speakon |
| Dimensions (WxHxD) | 652x1020x784 mm |
| Net weight | 85 kg |
| Shipping weight | 87 kg |
| Transportation | 4x 80mm removable castor wheels |
| Enclosure materials | Plywood; wear-resistant paint |
| Grill | Steel grill, polymere protective net |
| Color | Black |

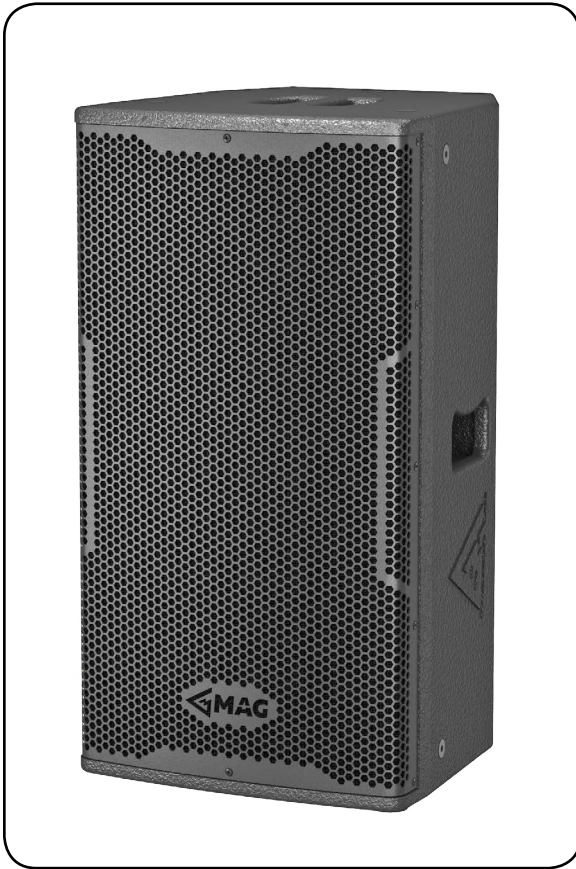


(1) – Based on 2 hours power test, IEC filtered pink noise, 6 dB crest factor



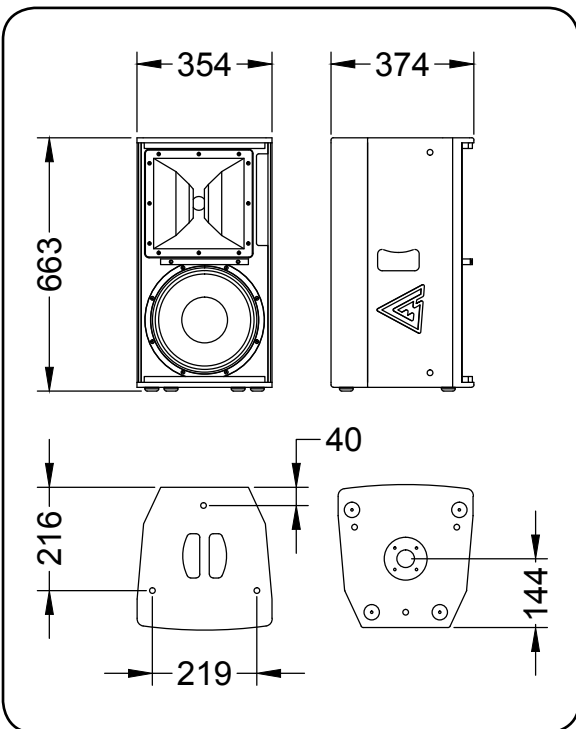
MD 402A

Full-range powered speaker



Compact and powerful, MD 402A is a perfect system for small size installed or portable sound reinforcement. Based on 12" woofer and horn mounted 1,5" HF driver, MD 402A is fitted with comprehensive set of M10 mounting points, making fixed installations faster and easier. Equipped with Powersoft © built-in amplifier with DSP controls and 3 sound-shaping switches.

| | |
|-----------------------------|---|
| Type | Full-range powered speaker |
| Acoustical & Electrical | |
| Frequency response (-10dB) | 65 - 18000 Hz |
| Max SPL (peak) | 130,5 dB (calculated) |
| LF Transducer | 12", M1240 |
| HF Transducer | 1,5", M150 |
| Nominal coverage HxV | 60° x 40° |
| Power | 1000 W |
| Amplifier | Class D, fan cooling |
| Input sensitivity | 0 dBV |
| Settings | 3 switchable functions |
| Connections & physical data | |
| Connectors | XLR in + XLR out |
| Dimensions (WxHxD) | 354x663x374 mm |
| Net weight | 31 kg |
| Shipping weight | 33 kg |
| Mounting | Pole mount adapter, 12x M10 flying points |
| Enclosure materials | Plywood; wear-resistant paint |
| Grill | Steel grill, polymere protective net |
| Color | Black |





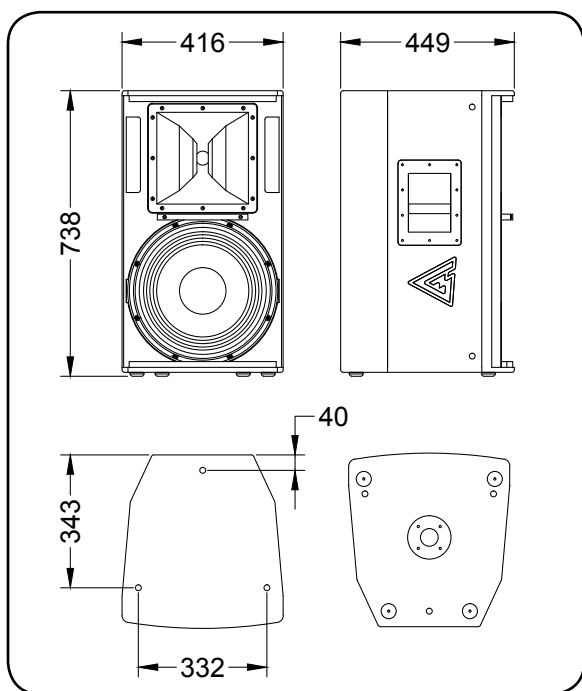
MD 405A

Full-range powered speaker



Primary choice of many fixed installations and portable speaker sets alike, the MD 405A is versatile, easy to setup and maintain. Based on 15" woofer and horn mounted 1,5" HF driver, MD 405A is fitted with comprehensive set of M10 mounting points, making fixed installations faster and easier. Equipped with Powersoft © built-in amplifier with DSP controls and 3 sound-shaping switches.

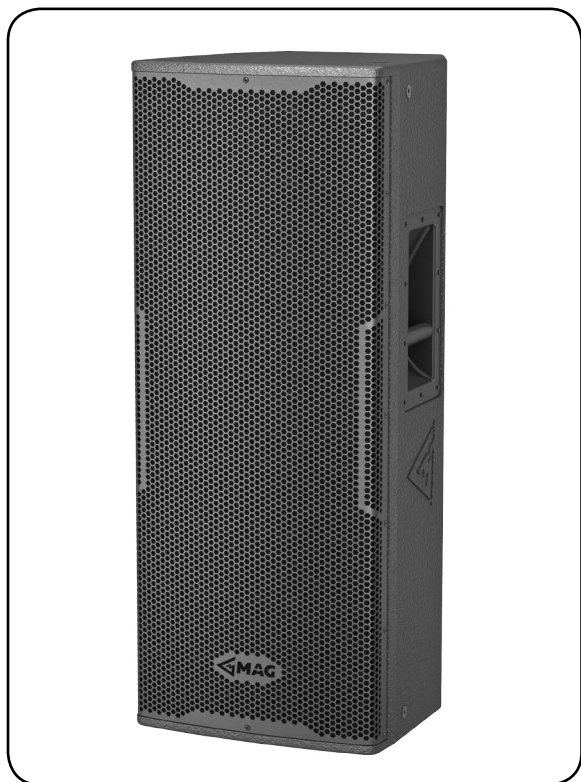
| | |
|-----------------------------|---|
| Type | Full-range powered speaker |
| Acoustical & Electrical | |
| Frequency response (-10dB) | 55 - 18000 Hz |
| Max SPL (peak) | 131,5 dB (calculated) |
| LF Transducer | 15", M1540 |
| HF Transducer | 1,5", M150 |
| Nominal coverage HxV | 60° x 40° |
| Power | 1000 W |
| Amplifier | Class D, fan cooling |
| Input sensitivity | 0 dBV |
| Settings | 3 switchable functions |
| Connections & physical data | |
| Connectors | XLR in + XLR out |
| Dimensions (WxHxD) | 416x738x449 mm |
| Net weight | 37 kg |
| Shipping weight | 39 kg |
| Mounting | Pole mount adapter, 12x M10 flying points |
| Enclosure materials | Plywood; wear-resistant paint |
| Grill | Steel grill, polymere protective net |
| Color | Black |





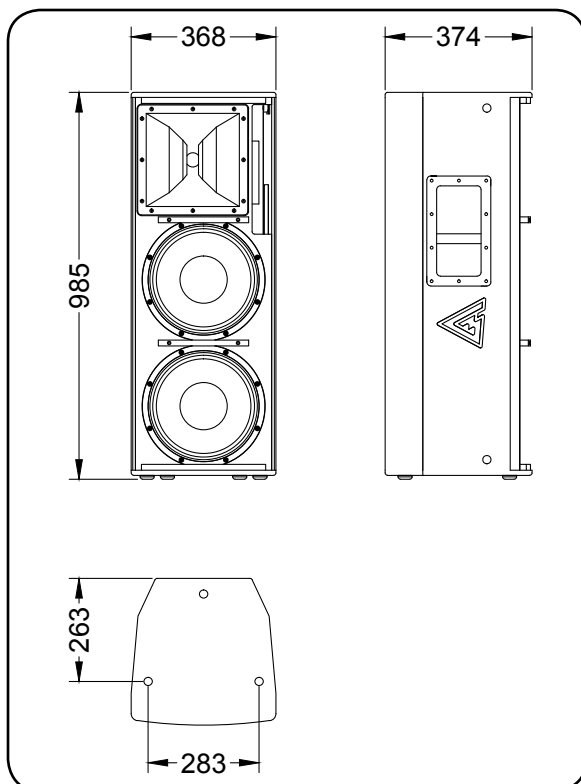
MD 422A

Full-range powered speaker



Convenient due to its small profile, but still powerful and potent, MD 422A will fit perfectly into small club, concert hall, restaurant or entertainment center. Based on two 12" woofers and horn mounted 1,5" HF driver, MD 422A is fitted with comprehensive set of M10 mounting points, making fixed installations faster and easier. Equipped with Powersoft © built-in amplifier with DSP controls and 3 sound-shaping switches.

| Type | Full-range powered speaker |
|-----------------------------|--------------------------------------|
| Acoustical & Electrical | |
| Frequency response (-10dB) | 75 - 18000 Hz |
| Max SPL (peak) | 136 dB (calculated) |
| LF Transducer | 2x12", M1240 |
| HF Transducer | 1,5", M150 |
| Nominal coverage HxV | 60° x 40° |
| Power | 1400 W |
| Amplifier | Class D, fan cooling |
| Input sensitivity | 0 dBV |
| Settings | 3 switchable functions |
| Connections & physical data | |
| Connectors | XLR in + XLR out |
| Dimensions (WxHxD) | 368x985x374 mm |
| Net weight | 41 kg |
| Shipping weight | 43 kg |
| Mounting | 12x M10 mounting points |
| Enclosure materials | Plywood; wear-resistant paint |
| Grill | Steel grill, polymere protective net |
| Color | Black |





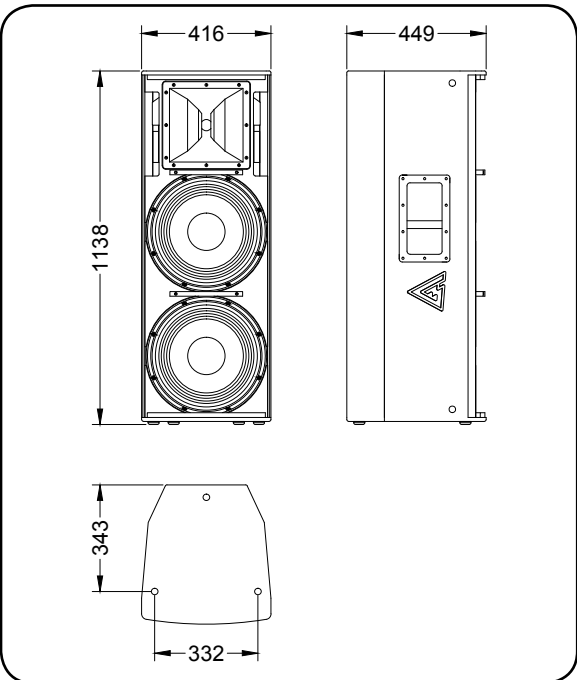
MD 425A

Full-range powered speaker



Due to its extended low-frequency friendly design and substantial power handling capacity, the MD 425A is the equipment of choice for many small and medium clubs, concert halls, restaurants and entertainment centers. Housing two 15" woofers and horn-mounted 1,5" driver and comprehensive set of M10 mounting points for fixed installations, MD 425A is equipped with Powersoft © built-in amplifier with DSP controls and 3 sound-shaping switches.

| | |
|-----------------------------|--------------------------------------|
| Type | Full-range powered speaker |
| Acoustical & Electrical | |
| Frequency response (-10dB) | 50 – 18000 Hz |
| Max SPL (peak) | 136,5 dB (calculated) |
| LF Transducer | 2x15", M1540 |
| HF Transducer | 1,5", M150 |
| Nominal coverage HxV | 60° x 40° |
| Power | 1400 W |
| Amplifier | Class D, fan cooling |
| Input sensitivity | 0 dBV |
| Settings | 3 switchable functions |
| Connections & physical data | |
| Connectors | XLR in + XLR out |
| Dimensions (WxHxD) | 416x1138x449 mm |
| Net weight | 54 kg |
| Shipping weight | 56 kg |
| Mounting | 12x M10 mounting points |
| Enclosure materials | Plywood; wear-resistant paint |
| Grill | Steel grill, polymere protective net |
| Color | Black |



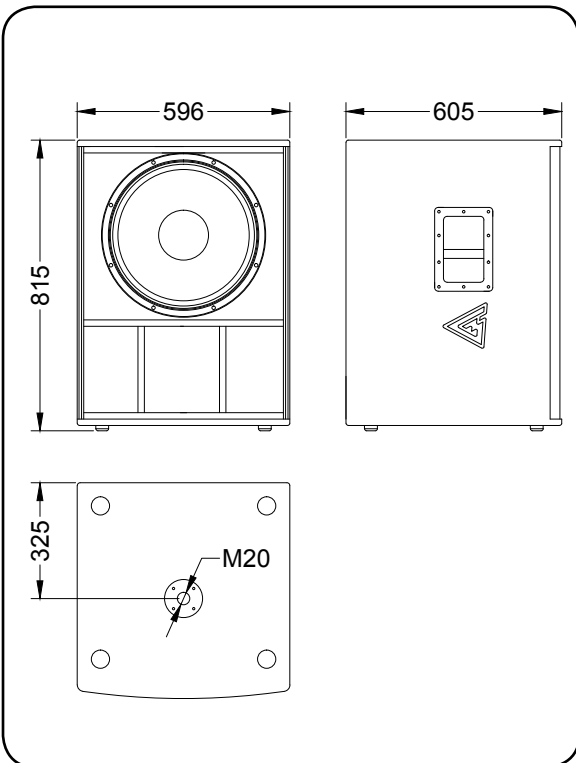


MD 802BA

Powered subwoofer



MD 802BA is the classic powered vented low end reinforcement speaker, designed specifically to support demanding MD series full-range speakers. Based on long-excursion 18" woofer, MD 802BA's enclosure is capable of delivering undistorted sound frequencies as low as 35 Hz. Equipped with Powersoft © built-in amplifier with DSP controls and 3 sound-shaping switches, enabling seamless integration with full-range cabinets.



| | |
|-----------------------------|--------------------------------------|
| Type | Powered subwoofer |
| Acoustical & Electrical | |
| Frequency response (-10dB) | 35 - 150 Hz |
| Max SPL (peak) | 133 dB (calculated) |
| LF Transducer | 18", M1804 |
| Power | 1400 W |
| Amplifier | Class D, fan cooling |
| Input sensitivity | 0 dBV |
| Settings | 3 switchable functions |
| Connections & physical data | |
| Connectors | XLR in + XLR out |
| Dimensions (WxHxD) | 596x815x605 mm |
| Net weight | 60 kg |
| Shipping weight | 62 kg |
| Mounting | M20 distance pole adapter |
| Transportation | 4x 80mm removable castor wheels |
| Enclosure materials | Plywood; wear-resistant paint |
| Grill | Steel grill, polymere protective net |
| Color | Black |

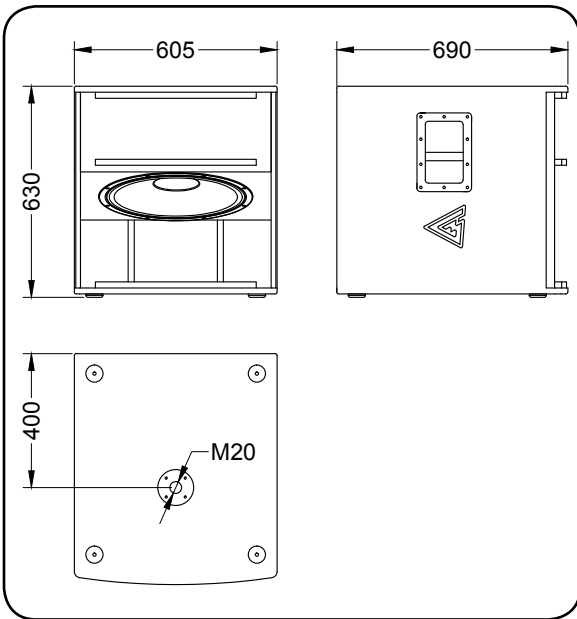


MD 902BA

Powered subwoofer



Compact cabinet dimensions, combined with efficient hybrid horn design and high power capacity – MD 902BA is great low end support for MD series' full-range speakers, be that fixed installation or mobile sound set. Moreover, cabinets are capable of stacking of even more effectiveness and lower operating threshold. Equipped with Powersoft © built-in amplifier with DSP controls and 3 sound-shaping switches, enabling seamless integration with full-range cabinets.



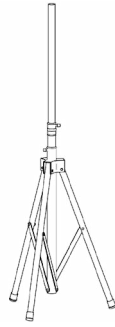
| | |
|-----------------------------|--------------------------------------|
| Type | Powered subwoofer |
| Acoustical & Electrical | |
| Frequency response (-10dB) | 40 - 200 Hz |
| Max SPL (peak) | 136 dB (calculated) |
| LF Transducer | 18", M1801 |
| Power | 1400 W |
| Amplifier | Class D, fan cooling |
| Input sensitivity | 0 dBV |
| Settings | 3 switchable functions |
| Connections & physical data | |
| Connectors | XLR in + XLR out |
| Dimensions (WxHxD) | 605x630x690 mm |
| Net weight | 54 kg |
| Shipping weight | 56 kg |
| Mounting | M20 distance pole adapter |
| Transportation | 4x 80mm removable castor wheels |
| Enclosure materials | Plywood; wear-resistant paint |
| Grill | Steel grill, polymere protective net |
| Color | Black |



Accessories



N-BOX-5
Tripod speaker stand



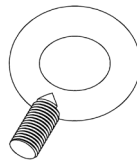
N-BOX-4
Tripod speaker stand



BOX-CB2
Bag for two speaker stands



SAT-3T
M20 Distance pole



VA-0016 EYEBOLT
M10 Rigging eyebolt



TRANSPORTATION BAGS
For MD series' loudspeakers



Powered subwoofer cardioid array setup guide

MD series' powered subwoofers - MD 802BA and MD 902BA - allow to create low frequency cardioid arrays for controlled sound environment and listening comfort.

Use following guidelines to achieve best results with your MD series powered subwoofer cardioid arrays:

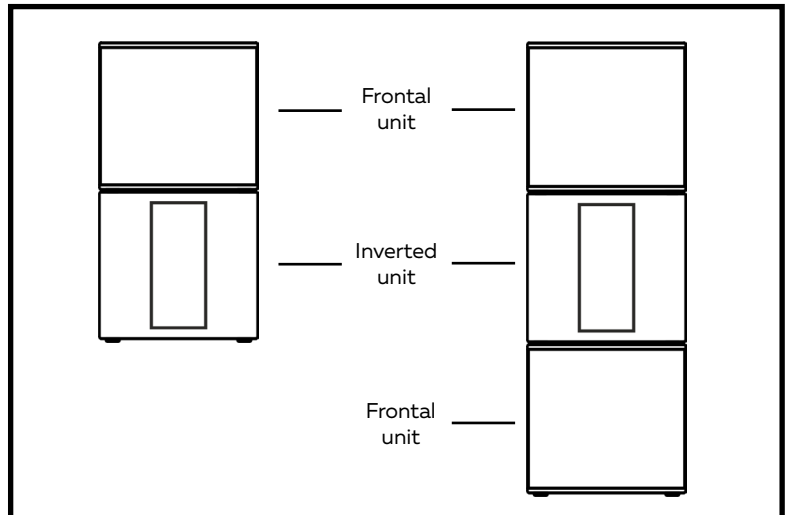
Two unit cardioid array:

Instal subwoofers into a vertical stack in a way that main subwoofer is facing the same way as the rest of the PA system, while the inverted subwoofer is rotated 180 degrees.

Use sockets on the top panel of the subwoofers to find the optimal placing for upper unit.

For the frontal unit, put the VOLUME knob in "0 dB" position.

For the inverted unit, put the VOLUME knob in 12 o'clock position and activate the CARDIOID mode, indicated by a LED indicator.



Two unit and three unit cardioid array

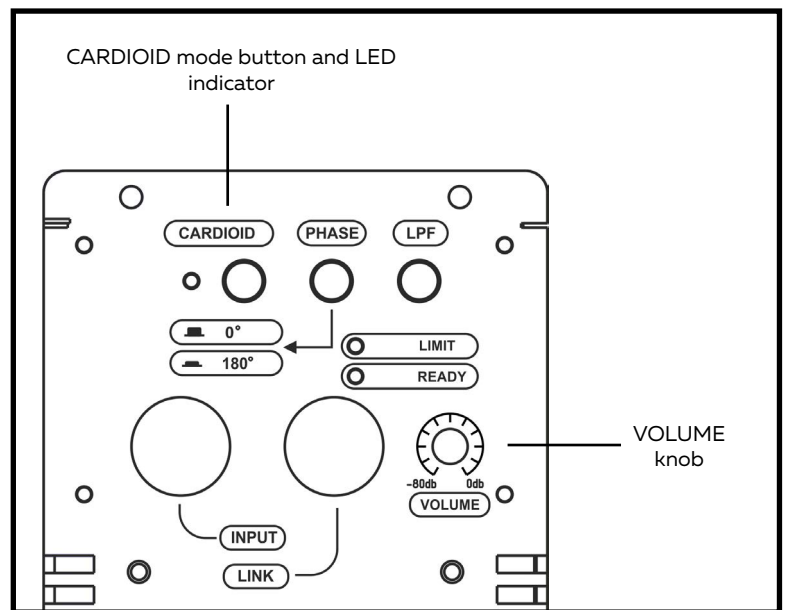
Three unit cardioid array:

Instal subwoofers into a vertical stack in a way that main subwoofer is facing the same way as the rest of the PA system, while the inverted subwoofer is rotated 180 degrees. It is advised to locate inverted subwoofer between main subwoofers

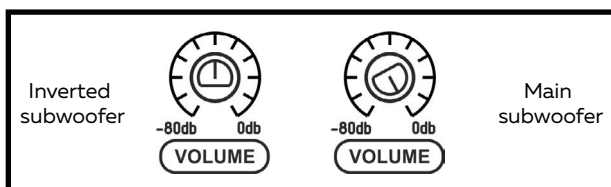
Use sockets on the top panel of the subwoofers to find the optimal placing for upper unit.

For the frontal units, put the VOLUME knob in "0 dB" position.

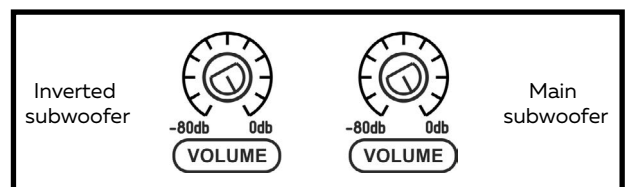
For the inverted unit, put the VOLUME knob in "0 dB" position and activate the CARDIOID mode, indicated by a LED indicator.



MD series subwoofer's control



Two unit cardioid array volume knobs positions



Three unit cardioid array volume knobs positions