



## Speaker Systems

### APPLICATIONS

- Band P.A.
- Personal monitor
- Small theatres
- Auditoriums
- Piano bar
- DJ
- Stage monitor
- Conference rooms
- Fixed installations in live clubs
- Pubs
- Gyms

### KEY FEATURES

- 2-way passive sound reinforcement system
- Polypropylene enclosure
- 1 x 12" custom woofer
- 1 x 1" high frequency driver
- 300W RMS recommended amplifier
- 150W long term power
- 600W short term power IEC 268-5
- 2 x M10 suspension points
- Internal passive crossover filter
- Input panel with 2 x Speakon NL4
- Completely manufactured in Italy



Designed, Engineered  
and Manufactured in ITALY

### PRODUCT DESCRIPTION

The FBT J12 series speakers feature lightweight, yet rugged gas injected molded polypropylene cabinet construction. Available in black finish the FBT J12 series speakers modern cabinet appearance provides fixed installations with an elegant design that blends into any decor. With the use of optional accessories the FBT J12 speakers can be mounted on mic stands for many nearfield monitor applications, live sound and as a studio monitor. The FBT J12 is of two way design incorporating an 12" low frequency woofer and 1" HF custom driver. Cabinet dispersion is 90°H x 60°V allowing for wide pattern coverage. The internal crossover is at a fixed frequency of 2kHz. With a frequency range of 55Hz - 20kHz the FBT J12 speakers provide high fidelity sound for both speech and music applications with a maximum SPL of 127dB. A front face steel grille protects the speaker from external damage. Ideal for fixed installations the FBT J12 speaker system have an impedance of 8 Ohm. The two M10 fly points built into the cabinets along with the optional mounting brackets allow the FBT J12 speakers to be surface mounted on walls or ceiling. For portable or fixed use the FBT J12 speakers can be mounted on mic stands by using the optional adapters for vertical mounting. Rear panel connections feature 2 x Neutrik Speakon NL4.

### ELECTRONIC SPECIFICATIONS

System Type	2 Way
Recommended Amplifier	300W RMS
Long Term Power	150W
Short Term Power (IEC 268-5)	600W
Nominal Impedance	8 Ohm
Frequency Response	55Hz - 20kHz (@-6dB)
Sensitivity	98dB (@1W, 1m)
Max SPL (cont/peak) (bi-amp)*	123dB / 127dB
Dispersion	90°H x 60°V
Crossover Frequency	2kHz
Recommended HP Filter	45Hz - 24dB oct.

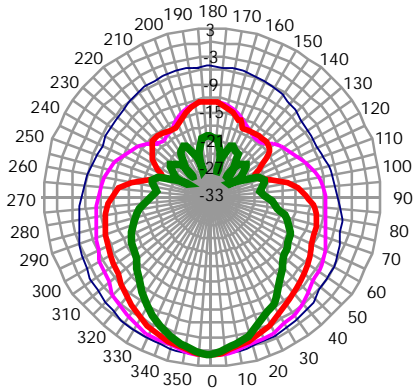
### PHYSICAL SPECIFICATIONS

Low Frequency Woofer	12" / 2" coil
High Frequency Driver	1" / 1" coil
Input Connectors	2 x Speakon NL4
Net Dimensions (WxHxD) inch	16.14 x 26.10 x 15.23
Shipping Dimensions (WxHxD) inch	19.48 x 29.13 x 18.70
Net Weight	31.08 lbs
Shipping Weight	37.91 lbs
Enclosure Material	polypropylene
Grille	Steel with powder coat black paint finish

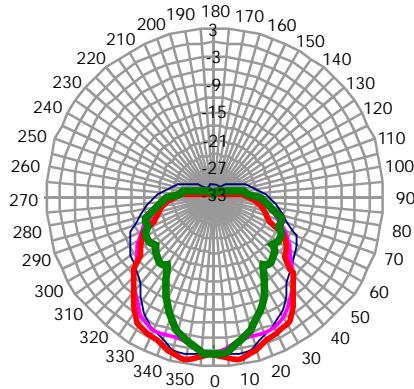
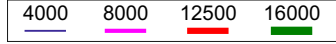
\* CONT. SPL: free space, based on recommended amp rating and LF transducer average sensitivity data, 125mS time average  
PEAK SPL: free space, based on short term applicable power rating and system peak sensitivity, 10mS time average

## DIAGRAMS

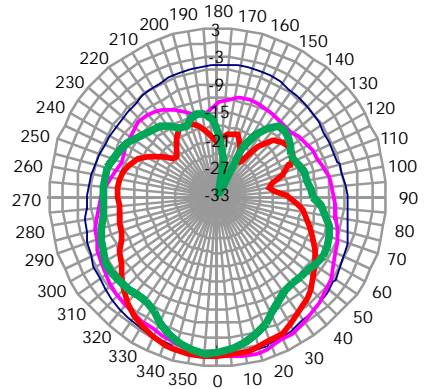
Horizontal polar diagrams



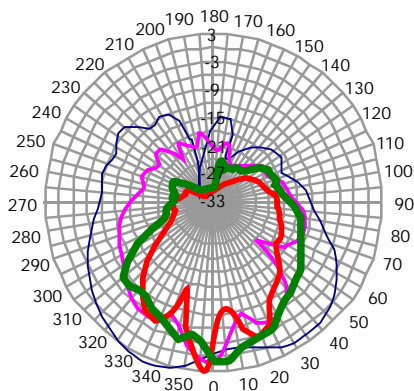
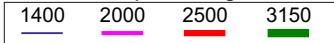
Horizontal polar diagrams



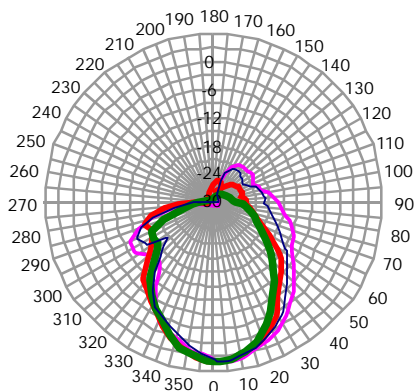
Vertical polar diagrams



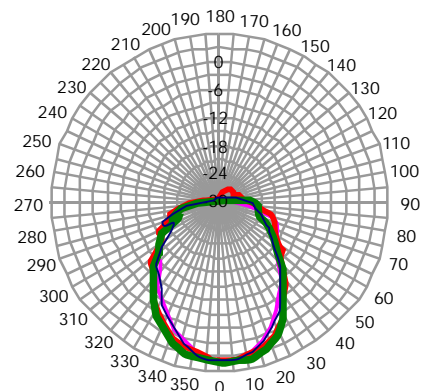
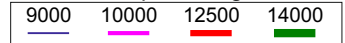
Vertical polar diagrams



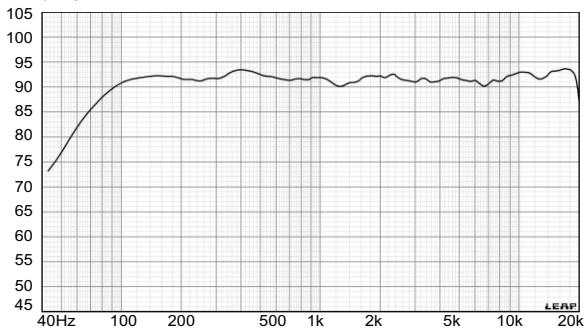
Vertical polar diagrams



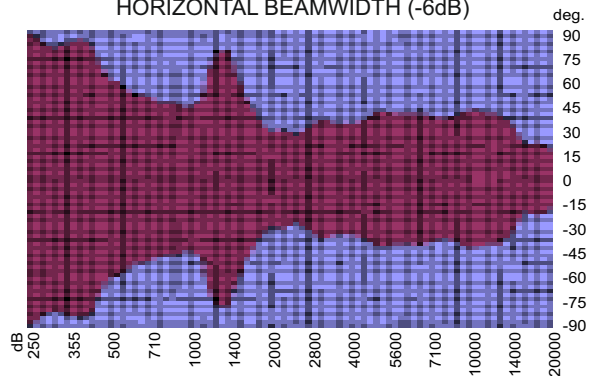
Vertical polar diagrams



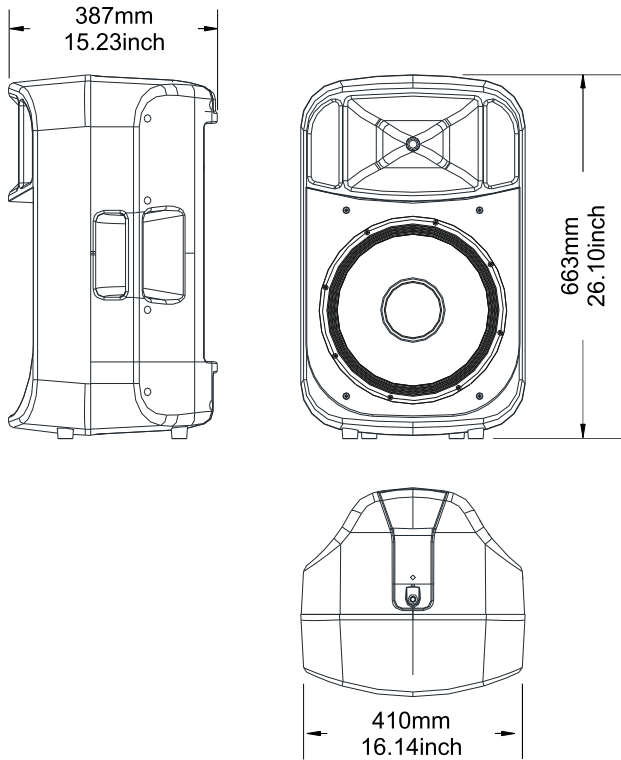
dB SPL FREQUENCY RESPONSE



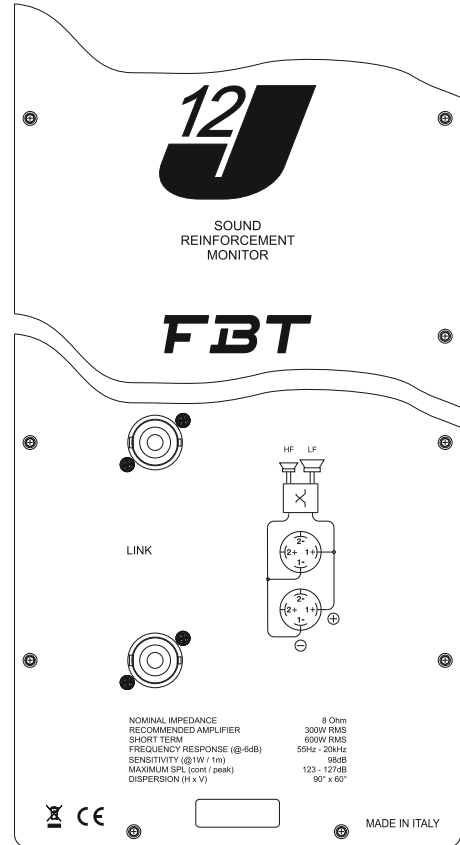
HORIZONTAL BEAMWIDTH (-6dB)



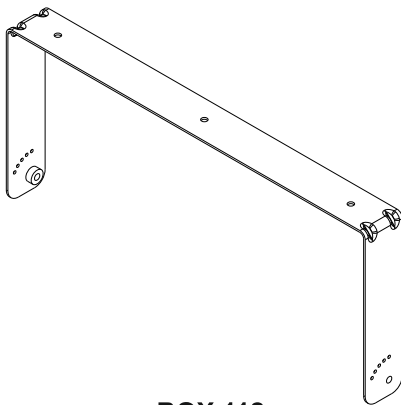
### DIMENSIONAL DRAWINGS



### CONTROL PANEL

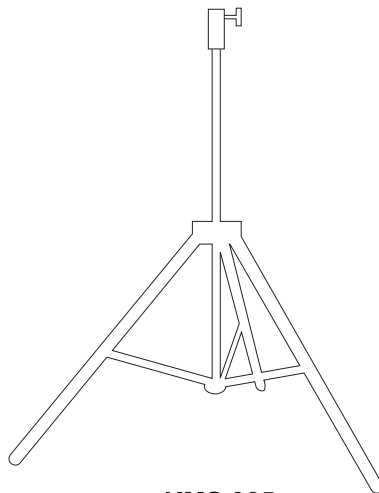


### ACCESSORIES



**BOX 112**

Wall metal bracket to mount in horizontal position



**KMS 325**

Speaker stand with top adapter  
1.37inch to 0.98inch.  
Max weight 88lb.



**KMS 210**

Adjustable speaker pole