

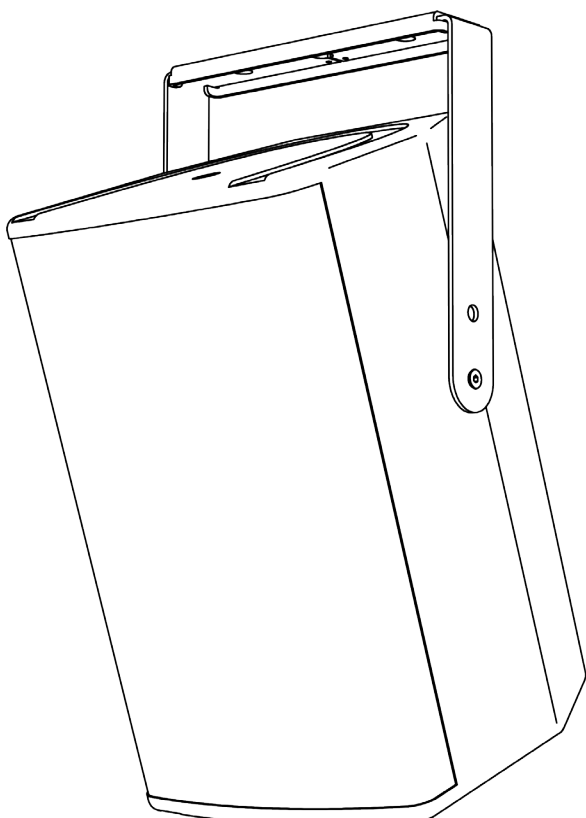
Architecture series

Specifications & rigging guide

CONTENTS

This contents & System application	2
AIR-61 specifications	3
AIR-81 specifications	4
SUB 12A specifications	5
SUB 15A specifications	6

SYSTEM APPLICATION



ARCHITECTURE series' speakers were created for constant installations, public address, near-field applications and is used when high-quality sound and compact size must fit in harmonically into the interior of a venue.

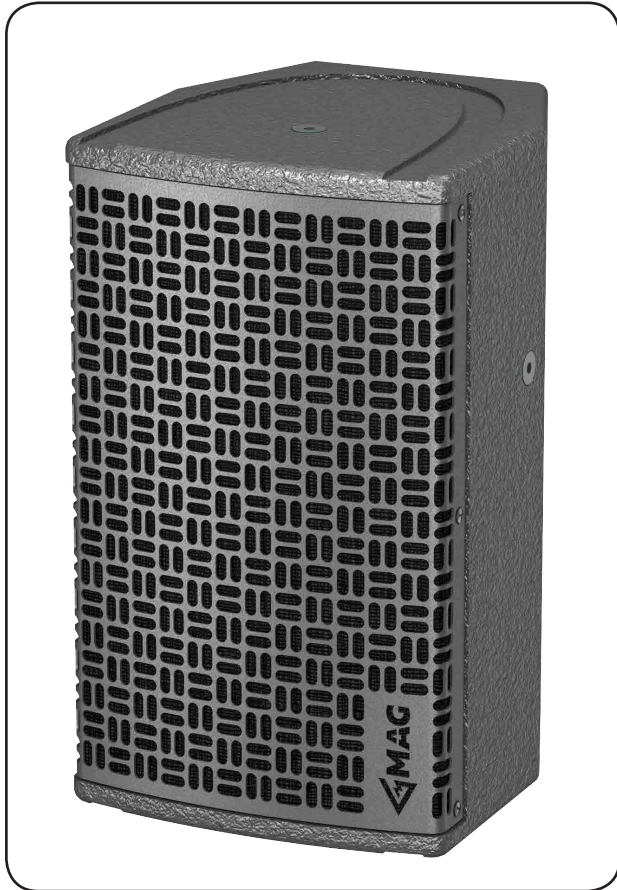
The **ARCHITECTURE** series is recommended for clubs, bars, restaurants, bowlings, karaoke-bars, shops and shopping malls.

The cabinets of full-range systems are made of MDF, low-frequency systems are made of birch plywood.

Acoustic systems are covered with textured paint and protected by hard steel grill. For installation purposes MID hanging points and fixing brackets for wall or ceiling mounting are provided.

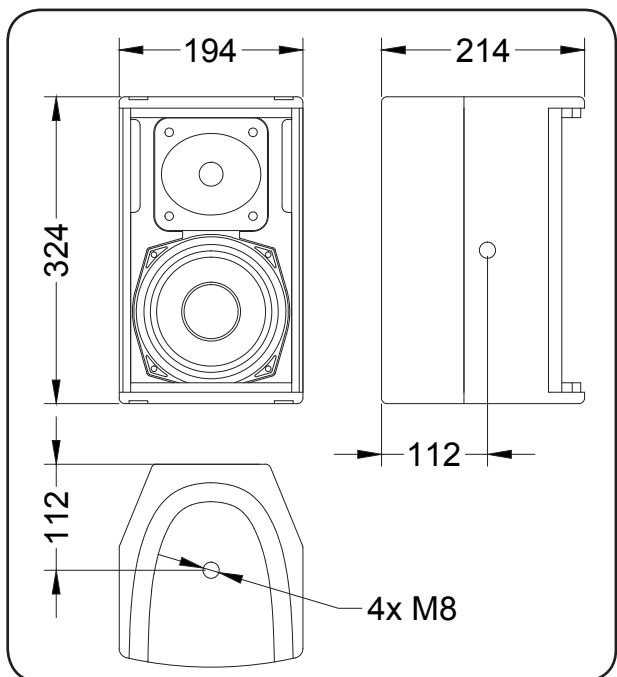
AIR-61

Passive installation speaker



Tiny installation speaker, the AiR-61 is easily fit into any interior design, and provides controlled coverage and smooth sound performance. The AiR-61 is based on 6" woofer and horn mounted 1" compression driver, and equipped with adjustable bracket.

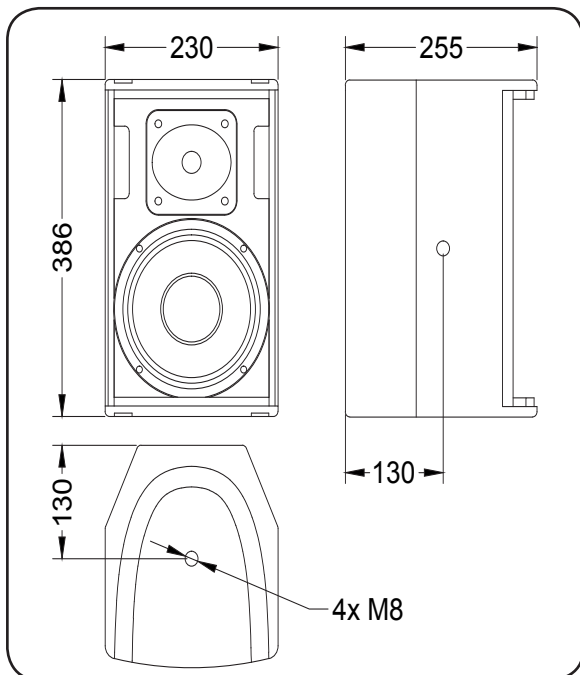
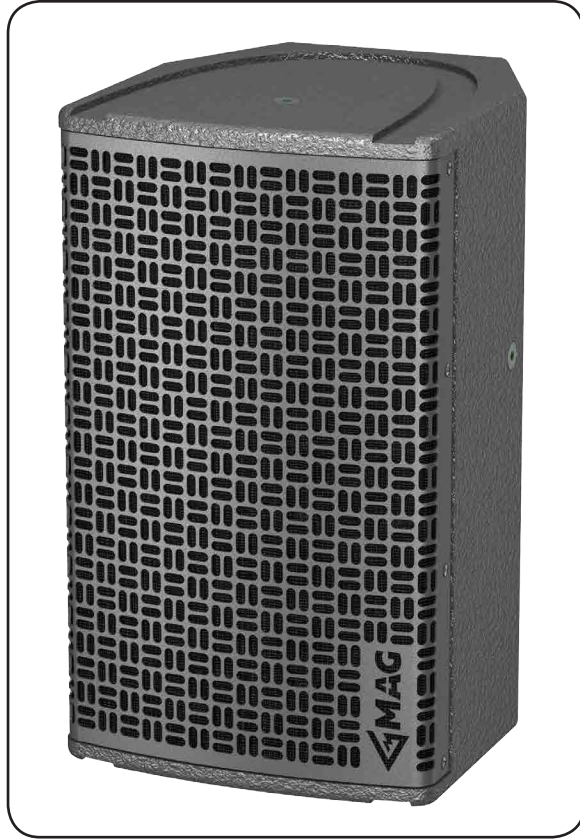
Type	Passive installation speaker
Acoustical & Electrical	
Frequency range (-10 dB)	70 - 18000 Hz
Max SPL (peak)	122 dB (calculated)
Sensitivity (1W/1m)	94 dB
LF Transducer	6", M0615
HF Transducer	1", N110
Nominal coverage HxV	60° x 40°
Impedance	8 Ohm / 4 Ohm
Nominal power	150 W
Program power	300 W
Peak power	600 W
Connections & physical data	
Connectors	2x terminal plate
Dimensions (WxHxD)	194x324x214 mm
Net weight	10,5 kg
Shipping weight	12,5 kg
Mounting	4x M10 flying points
Enclosure materials	Plywood; MDF; wear-resistant paint
Grill	Steel grill, polymere protective net
Color	Black



AIR-81

Passive installation speaker

Providing 250W of power handling and up to 126 dB Max sound pressure, the AiR-81 is powerful PA and near field sound reinforcement solution. The AiR-81 is based on 8" woofer and horn mounted 1" compression driver, and equipped with adjustable bracket.



Type	Passive installation speaker
Acoustical & Electrical	
Frequency range (-10 dB)	60 - 18000 Hz
Max SPL (peak)	126 dB (calculated)
Sensitivity (1W/1m)	96 dB
LF Transducer	8", M0821
HF Transducer	1", N110
Nominal coverage HxV	60° x 40°
Impedance	8 Ohm / 4 Ohm
Nominal power	250 W
Program power	500 W
Peak power	1000 W
Connections & physical data	
Connectors	2x terminal plate
Dimensions (WxHxD)	230x386x255 mm
Net weight	11,5 kg
Shipping weight	13 kg
Mounting	4x M10 flying points
Enclosure materials	Plywood; MDF; wear-resistant paint
Grill	Steel grill, polymere protective net
Color	Black

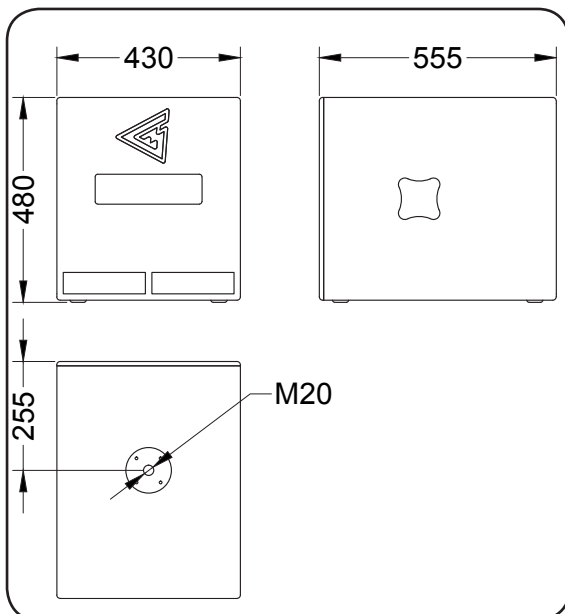
SUB 12A

Powered subwoofer



The low-frequency support for your PA or distributed sound system, Sub 12A is a compact effective easily concealed self powered subwoofer. Thanks to the integrated amplifier, it is easily integrated into even already finished system.

Type	Powered subwoofer
Acoustical & Electrical	
Frequency range (-10 dB)	45 - 120 Hz
Max SPL (peak)	130 dB (calculated)
LF Transducer	12", M1261
Power	700 W
Amplifier	Class D Fan cooling
Input sensitivity	-2,2 dBV
Connections & physical data	
Connectors	XLR in + XLR out
Dimensions (WxHxD)	485x430x555 mm
Net weight	29 kg
Shipping weight	31 kg
Mounting	M20 distance pole adapter
Enclosure materials	Plywood; wear-resistant paint
Color	Black



SUB 15A

Powered subwoofer



High-power effective design high-performance subwoofer, the Sub 15A is the solution for large scale distributed sound system. Thanks to the integrated amplifier, it is easily integrated into even already finished system.

Type	Powered subwoofer
Acoustical & Electrical	
Frequency range (-10 dB)	40 - 120 Hz
Max SPL (peak)	132 dB (calculated)
LF Transducer	15", M1503
Power	1400 W
Amplifier	Class D Fan cooling
Input sensitivity	-2.2 dBV
Connections & physical data	
Connectors	XLR in + XLR out
Dimensions (WxHxD)	511x485x545 mm
Net weight	38 kg
Shipping weight	40 kg
Mounting	M20 distance pole adapter
Enclosure materials	Plywood; wear-resistant paint
Color	Black

