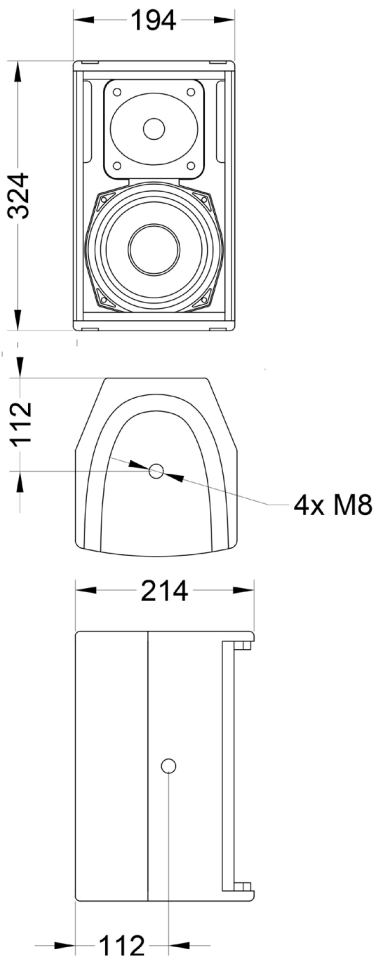
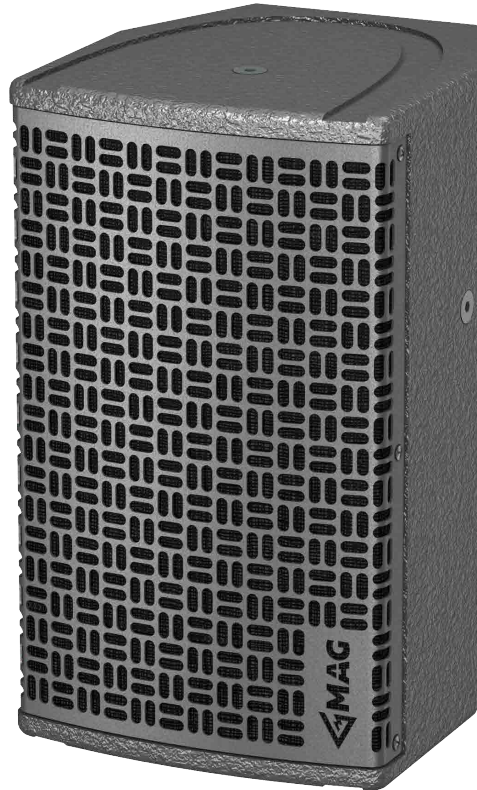


# AIR-61

PASSIVE  
INSTALLATION  
SPEAKER



## Main features:

- 150W nominal power
- 6" woofer with 1,75" voice coil
- 1" HF driver
- 120 dB Max SPL
- Numerous flying options

Frequency Response (-10dB)	70 - 18000 Hz
Max SPL (peak)	120 dB (calculated)
Sensitivity (1W/1m)	92,5 dB
LF Transducer	6"
HF Transducer	1"
Nominal coverage HxV	60° x 40°
Impedance	8 Ohm / 16 Ohm
Nominal power	150 W
Program power	300 W
Peak power	600 W

Connectors	2x terminal plate
Dimensions (WxHxD)	194x324x214 mm
Net weight	10,5 kg
Shipping weight	12,5 kg
Mounting	4x M10 flying points
Enclosure materials	Plywood; MDF; wear-resistant paint
Grill	Steel grill, polymere protective net
Color	Black

Acoustical & Electrical data

Connections, physical data  
and exploitation