

AMBIT SERIES

AMBIT103, AMBIT106

LOUDSPEAKER CABINETS

AMBIT range is more than just a line of acoustic cabinets for sound reinforcement. AMBIT is the outcome of a study on the present and immediate future needs with respect to background and foreground pro audio applications. Conceived to integrate into any décor and to provide superb audio quality under a versatile basis.

Key features

- ABS architectural reinforced cabinets range
- Built-in audio transformer for 100V applications
- 8 ohms /100V operation selector
- All models include on-wall hardware, safety sling, screws and wrench for fast installation
- Available in black and white colours to match any décor
- Spring loaded input terminals
- IP rated for weatherproof installations
- Anti UV cabinet avoids colour degradation in case of direct sunlight exposition

Recommended amplification

- **DPA, GPA** and **LPA** series
- **HMA120** and **HMA180** self-powered mixers
- **CA** series compact RS-232 amplifiers
- **MPA-R** multi-channel amplifiers line (low impedance or high impedance with DLA adapters)
- **NXA** multi-channel amplifiers with built-in DSP and remote Ethernet management (low impedance)
- **HZA** multi-channel 100 V line amplifiers
- **HSA** series amplifiers (high impedance)

Applications

- Shopping centres
- Retail shops
- PA distributed sound systems
- Clubs, Cafes, Bars foreground/background reinforcement
- Tourist temporary outdoor installations



AMBIT103

AMBIT103

Ultra compact 2 way coaxial loudspeaker cabinet for non obtrusive applications. Specially suitable for background reinforcement in thematic restaurants, cafés, retail premises and licensed venues.

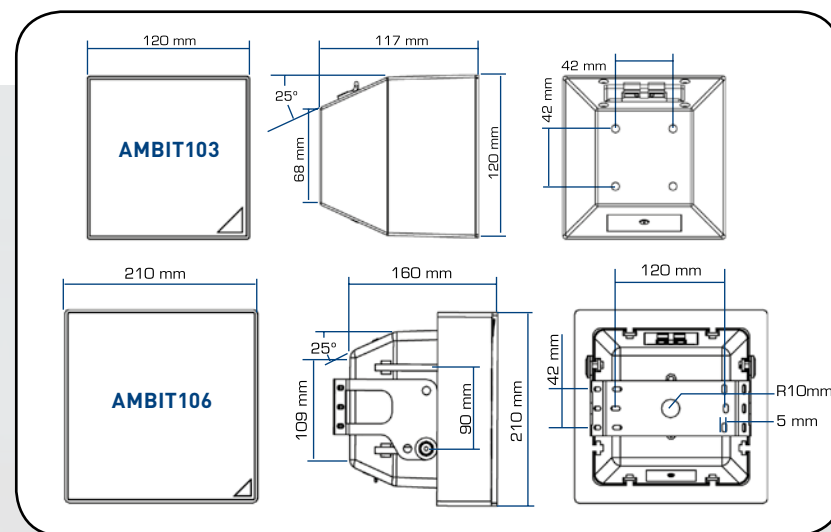
- 2 way full range ultra compact loudspeaker cabinet
- Built-in audio transformer for 100V applications
- 25 W RMS/8 ohms
- Power selector (100V): 15,7.5,5,2.5 W
- 3.5" polypropylene woofer ensure stability against heat and humidity
- 13mm soft dome coaxial tweeter
- 13 mm soft dome coaxial tweeter
- Included bracket for on-wall installation
- IP54 rated
- Efficiency 87 dB SPL 1W/1m
- Freq response (-3dB) 150Hz – 20kHz
- Dimensions (mm) 120x120x117
- 1.275 Kg

Accessories AMBIT103

- **MP103AMB2, MP103AMB4** for 2 or 4 units cluster configuration.
- Available in black. See dedicated product pages for further information.

Technical Characteristics

	AMBIT103	AMBIT106
Ways	2	2
Nominal low impedance	8Ω	8Ω
Max RMS power	25W	50W
Program power	50W	100W
Nominal high impedance	100V LINE	100V LINE
Power selector	2.5 / 5 / 7.5 / 15W	5 / 7.5 / 15 / 30W
Efficiency SPL 1W 1m	87 dB	93 dB
Frequency response at -3dB @ 8Ω	150Hz ÷ 20kHz	110Hz ÷ 20kHz
Dimensions WxHxD (without accessories)	120x120x117mm	210x210x160mm
Weight	1.275 kg	2.75 kg



AMBIT106

Compact 2 way coaxial loudspeaker cabinet for non obtrusive applications. Specially suitable for background or foreground reinforcement in thematic restaurants, cafés, retail premises and licensed venues.

- 2 way full range compact loudspeaker cabinet
- Built-in audio transformer for 100V applications
- 50 W RMS/8 ohms
- Power selector (100V): 30,15,7.5,2.5 W
- 6.5" polypropylene woofer ensure stability against heat and humidity
- 25 mm soft dome coaxial tweeter
- Included U-bracket for on-wall installation
- IP54 rated
- Efficiency 93 dB SPL 1W/1m
- Freq response (-3dB) 110Hz – 20kHz
- Dimensions (mm) 210x210x160
- 2.75 Kg



AMBIT106



Accessories AMBIT106

- **MP106AMB2/WH, MP106AMB3/WH, MP106AMB4/WH:** for 2,3 or 4 units cluster configuration. Available in black and white colours
- **SR6/WH:** on wall bracket MP106AMB2 cluster. Available in black and white colours. See dedicated product pages for further information.

All measurements in mm.

AMBIT ACCESSORIES



MP103AMB2

Hardware for 2 AMBIT103.
Available in black



MP106AMB2/WH

Hardware for 2 AMBIT106.
Available in black and white



MP106AMB3/WH

Hardware for 3/6 AMBIT106.
Available in black and white



SR6 ON WALL

Hardware for AMBIT108 and MP106AMB2.
Available in black and white



MP103AMB4

Hardware for 4 AMBIT103.
Available in black



MP106AMB4/WH

Hardware for 4 AMBIT106.
Available in black and white

Mechanical Characteristics SR6

Length	161mm
Max. width	100mm
Max. height	100mm
Pan	170°
Tilt	180°
Wall hole diameter	6mm
Distance between holes for speaker attachment	60 mm